

ORIGIN
ARCHITECTURAL

ARCHITECTURAL HARDWARE SOLUTIONS
PRODUCT CATALOGUE

ARCHITECTURAL HARDWARE SOLUTIONS

ORIGIN ARCHITECTURAL

To speak to a member of our team telephone
0113 277 4316 or email sales@originarchitectural.co.uk

7 Parkside Industrial Estate, Glover Way, Leeds LS11 5JP

Welcome to Origin Architectural your home for glass and architectural hardware. At Origin, we pride ourselves on:

Value for Money

We want long term relationships with our customers. We understand the importance of value for money and will always look to price our products competitively.

Sales from Stock

The majority of our products are immediately available from stock. We will deliver anywhere in the UK within 24 hours. Bespoke products can be supplied within a short number of days.

Safety

Safety is, and always will be, our number one priority. Many of our products are rigorously tested and sold with certification from internationally recognised testing institutions.

Technical Support

We offer our customers technical support whenever and wherever they need it.

Installation

We select our products on the basis that not only are they aesthetically pleasing but just as importantly are quick, easy and cost effective to install.



Our Products

Preassembled Posts	08	Spigots	64
Handrail Bracket Posts	09	Spigots And Covers	64
End Cap Posts	10	Spigot Fixings	65
Side Fixed Posts	11	Glass Adapters	65
Square Posts	11	Components	66
Wire Rope Posts	12	Glass Adapter Fixings	67
Post Fixings	13	Mirror Polished	70
Wire Rope Components	14	Tube Fittings	70
Cross Bar Components	15	Slotted Tube Fittings	72
Channel Systems	16	Handrail Brackets	73
Quality Fit	17	Handrail Bracket – Wall	73
Flex Fit	21	Handrail Bracket – Glass	74
Flex Fit Pro	29	Handrail Bracket – Post	75
Easy Fit	35	Fixings for Handrail Bracket	77
Channel Fixings	40	Glass Gate Hardware	78
Channel System Test Data	42	Square Fittings	79
Round Tubes	46	Juliet Balconies	82
End Caps	47	Skyforce	83
Tube Fittings	48	Skyforce Top Mount	84
Slotted Tube Handrail	50	Skyforce Side Mount	88
Round	50	Skyforce Fixings	90
Rectangular	52	Portia	92
Square	54	Portia – Satin Finish	
Aluminium Capping	55	Portia – Mirror Polished	
Wall Flanges	56	Portia Fixings	
Base Plates and Base Covers	56	Ariel Juliet Balcony	94
Baluster Brackets	58	Othello Juliet Balcony	95
Glass Clamps	58	Consumables	96
Glass Clamp Fixings	62	Shower Fittings	98
Glass Stiffeners	63	Glass	103



DRAWING INFORMATION

Dimensions for guide use only, components may vary slightly from the sizes shown.

ORIGIN

Preassembled Posts

Pre fabricated posts are a central part of our business at Origin. We can supply from stock on a next day delivery service middle, corner and end posts. We can also fabricate using our own saw and drill line bespoke posts to your exact measurements. Be it a dwarf post or a privacy screen, our posts can be made to your exact measurements on very short lead times.



PREASSEMBLED POSTS

Handrail Bracket Posts



END POST HANDRAIL BRACKET

316	
CODE	Ø
B16.3009.0042.12	42 x 2
B16.3009.0048.12	48 x 2

MIRROR POLISHED 316	
CODE	Ø
B14.3009.0042.12	42 x 2



MID POST HANDRAIL BRACKET

316	
CODE	Ø
B16.3010.0042.12	42 x 2
B16.3010.0048.12	48 x 2

MIRROR POLISHED 316	
CODE	Ø
B14.3010.0042.12	42 x 2



CORNER POST HANDRAIL BRACKET

316	
CODE	Ø
B16.3011.0042.12	42 x 2
B16.3011.0048.12	48 x 2

MIRROR POLISHED 316	
CODE	Ø
B14.3011.0042.12	42 x 2

End Cap Posts



END POST END CAP

316	
CODE	Ø
B16.3109.0042.12	42 x 2
B16.3109.0048.12	48 x 2

MIRROR POLISHED 316

CODE	Ø
B14.3109.0042.12	42 x 2



MID POST END CAP

316	
CODE	Ø
B16.3110.0042.12	42 x 2
B16.3110.0048.12	48 x 2

MIRROR POLISHED 316

CODE	Ø
B14.3110.0042.12	42 x 2



CORNER POST END CAP

316	
CODE	Ø
B16.3111.0042.12	42 x 2
B16.3111.0048.12	48 x 2

MIRROR POLISHED 316

CODE	Ø
B14.3111.0042.12	42 x 2

Side Fixed Posts

Our side fixed posts are also available with end cap. When using side fixed posts, the glass should always be drilled and security pins used.



END POST

316	
CODE	Ø
B16.3209.0042.12	42 x 2



MID POST

316	
CODE	Ø
B16.3210.0042.12	42 x 2



CORNER POST

316	
CODE	Ø
B16.3211.0042.12	42 x 2

Square Posts

Our square posts are also available with handrail bracket.



END POST

316	
CODE	Ø
B16.3409.0040.12	40 x 2



MID POST

316	
CODE	Ø
B16.3410.0040.12	40 x 2



CORNER POST

316	
CODE	Ø
B16.3410.0040.12	40 x 2

Wire Rope Posts

Our wire rope posts are also available with end cap. A new pair of eyebolts are required every 5m or change of direction. For every pair of eyebolts a tensioner and terminal should be used. If the wire rope balustrade run is less than 5m and there is no change of direction, the mid posts without eye bolts should be used. Every wire rope post accommodates 10 rungs of wire.



CORNER POST

316

CODE	Ø
B16.3309.0042.12	42 x 2



MID POST (NO EYE BOLT)

316

CODE	Ø
B16.3310.0042.12	42 x 2



MID POST (WITH EYE BOLT)

316

CODE	Ø
B16.3312.0042.12	42 x 2



END POST

316

CODE	Ø
B16.3311.0042.12	42 x 2

Post Fixings



BASE PLATE FIXING TO CONCRETE - THROUGH BOLT

CODE	DIMENSIONS
B17.0900.820.14	M8 X 75MM



BASE PLATE FIXING TO CONCRETE - HEX HEAD WITH FLANGE

CODE	DIMENSIONS
B17.0626.050.12	M8 X 75MM



BASE PLATE FIXING TO STEEL

CODE	DIMENSIONS
B17.4108.121.14	M8 X 75MM ANCHOR BOLT 316



BASE PLATE FIXING TO TIMBER (NOT TESTED)

CODE	DIMENSIONS
B17.4111.121.14	M8 X 60MM HEXAGON COACH SCREW

Wire Rope Components



EYE BOLT CONNECTOR

316

CODE

B16.7350.003.12



EYE BOLT WOOD SCREW CONNECTOR

316

CODE

B16.7350.004.12



TENSIONER WITH JAW TO SUIT 3MM WIRE

316

CODE

B16.7250.003.12



TERMINAL WITH JAW TO SUIT 3MM WIRE

316

CODE

B16.7300.003.12



WIRE ROPE 100M 3MM THICKNESS

316

CODE

B16.7900.003.12



UPWARD ANGLED WIRE ROPE HOLDER +/- 35° TO SUIT 3MM WIRE

316

CODE

CODE	Ø
B16.7350.007.12	42



DOWNWARD ANGLED WIRE ROPE HOLDER +/- 35° TO SUIT 3MM WIRE

316

CODE

CODE	Ø
B16.7350.008.12	42

Cross Bar Components



ROUND 7 HOLE POST

316

CODE

CODE	Ø
B16.3410.0042.12	42 X 2
B16.3410.0048.12	48 X 2



CROSS BAR HOLDER (FLAT MOUNTING)

316

CODE

B16.0832.000.12



2 PART ROUND BAR HOLDER

316

CODE

B16.0830.012.12



CROSS BAR HOLDER (TUBE MOUNTING)

316

CODE

CODE	Ø
B16.0831.042.12	42.4
BO4.0831.048.12	48.3



ANGLE JOINT CONNECTOR

316

CODE

B16.0302.012.12



ADJUSTABLE CROSSBAR HOLDER

316

CODE

CODE	Ø
B16.0855.000.12	FLAT
B16.0855.042.12	42.4
B16.0855.048.12	48.3

ORIGIN

Channel Systems

Here at Origin we supply channel systems to suit any application. All of our channel systems are fully tested and test certification can be supplied on request. Regardless of the line load required, glass thickness or material that you are fixing to, we have the solution that will work for you! Fixings are sold from stock and can be supplied on request.

Quality Fit

Origin Quality Fit is one of our most popular channel systems. Simple to install and great value for money. Its sleek and modern finish make it one of our best selling profiles.

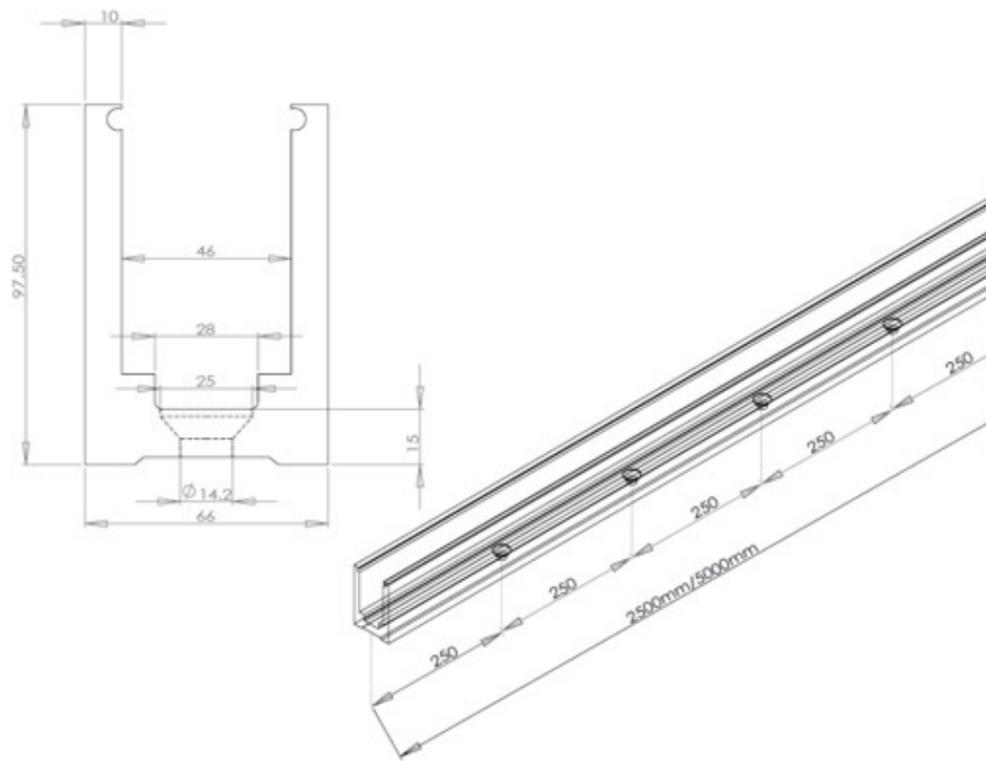
Installation

The Origin Quality Fit system uses a locking mechanism of high strength aluminium and PVC isolators combined with a specially designed aluminium show moulding. All that is needed is a simple torque screw to tighten the clamps and secure the glass within the profile. It could not be simpler!



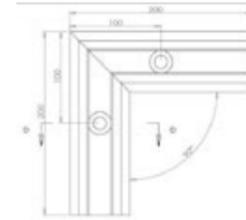
Base Drilled Channel

ITEM	QTY	LENGTH	CODE (2.5M / 5M)
BASE FIXED CHANNEL	--	2.5M OR 5M	C.G6902.000.10/C.G6902.050.10
GLASS CLAMP KIT	--	2.5M OR 5M	-- --
12 mm	--	--	C.G6913.012.10/C.G6913.012.11
13.5 mm	--	--	C.G6913013.10/C.G6913013.11
15 mm	--	--	C.G6913015.10/C.G6913015.11
17.5 mm	--	--	C.G6913017.10/C.G6913017.11
21.5mm	--	--	C.G6913021.10/C.G6913021.11



2.5m profile pre drilled from the ends and then 250mm thereafter. 5m profile predrilled 250mm from the ends and then 250mm thereafter. To suit 12mm countersunk fixing bolt.

Quality Fit Base Mount Components



INSIDE/OUTSIDE CORNER

CODE	SIDE LENGTH OUTSIDE
C.G6912.019.10	200MM



END CAP

CODE
C.G6906.000.10



DRAINAGE BLOCK

CODE
C.G6921.010.10



TORQUE WRENCH

CODE
C.G.WRENCH

Flex Fit

Origin Flex Fit is a well established product. Its slender and attractive design make it popular for a number of applications. It is one of the most competitively priced channel systems on the market.

Installation

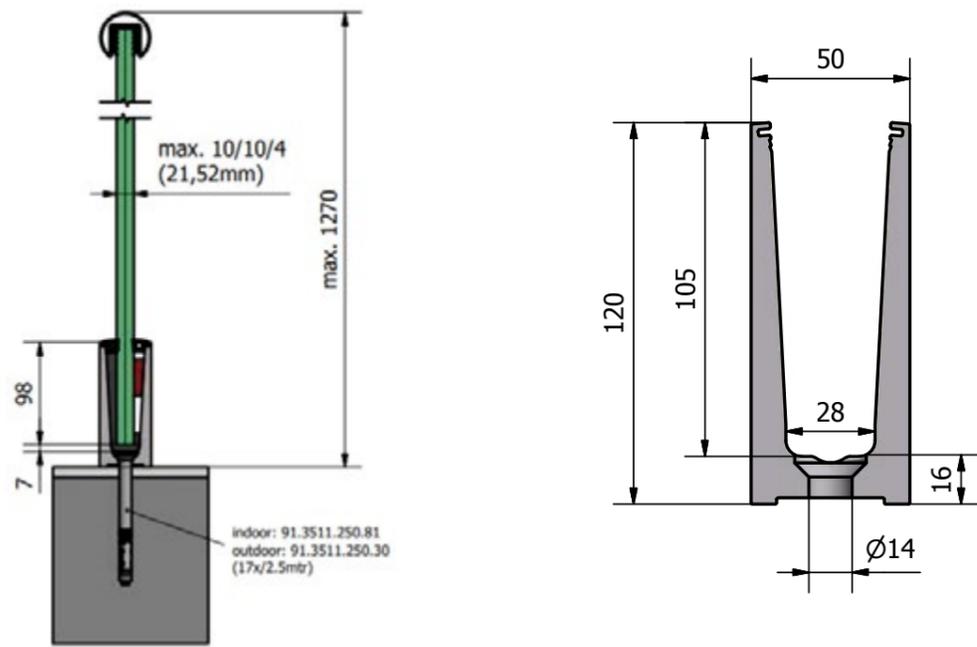
Most systems require adjustment from both the balcony and the void side. Flex Fit can be fully adjusted from the balcony side only making it not only safer but also saving substantial cost in terms of renting scaffolding or a cherry picker. The Flex Fit system allows you to position a glass panel in one single operation to within one millimetre.

The Flex Fit system allows you to easily adjust each glass panel by up to 40mm in relation to the base channel.



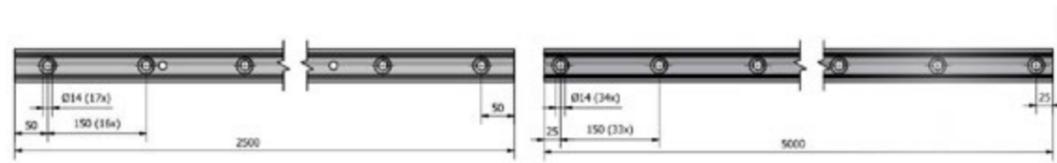
Base Mount Fixing System

ITEM	QTY	LENGTH	CODE (2.5M / 5M)
BASE DRILLED CHANNEL*	1	2.5M OR 5M	C.O6902.000.10 / C.O6902.050.10
GLASS CLAMP KIT**	1	(2.5M OR 5M)	-- --
12 mm	--	--	C.O6913.012.10 / C.O6913.012.11
13.5 mm	--	--	C.O6913.013.10 / C.O6913.013.11
15 mm	--	--	C.O6913.015.10 / C.O6913.015.11
8/8 / 4 (17.52 mm)	--	--	C.O6913.017.10 / C.O6913.017.11
19mm	--	--	C.O6913.019.10 / C.O6913.019.11
10/10 / 4 (21.52 mm)	--	--	C.O6913.021.10 / C.O6913.021.11



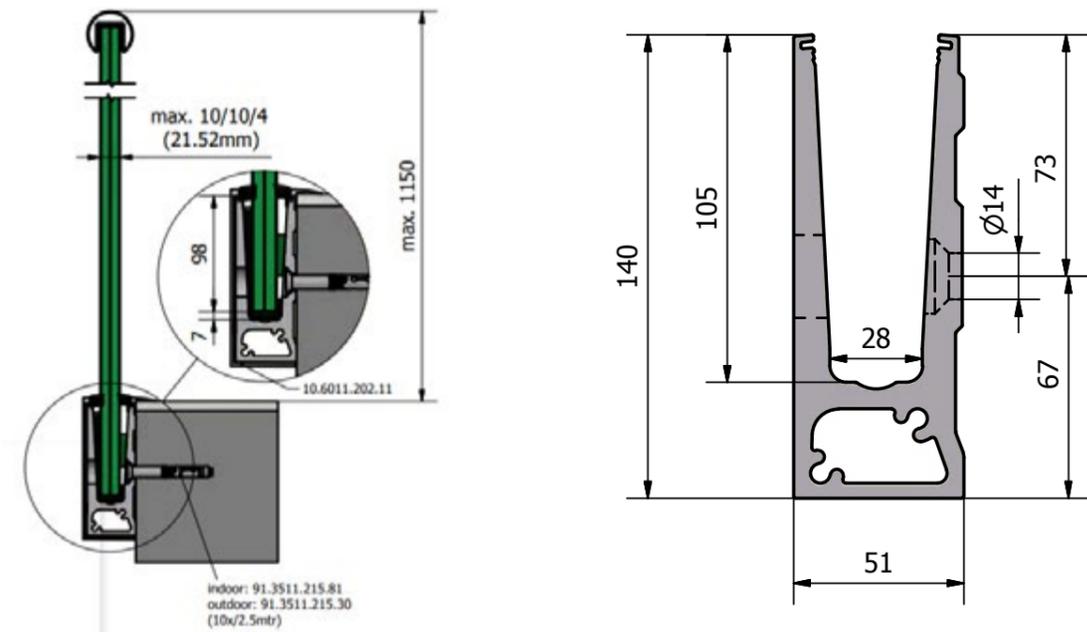
*2.5m profile pre drilled 125mm from the ends and then 250mm thereafter. 5m profile pre drilled 125mm from the ends and then 250mm thereafter. To suit 12mm fixing bolt.

**Clamp kit designed for 2.5m or 5m length of channel. Please specify whether for 12mm, 13.5mm, 15mm, 8/8/4 (17.52mm), 19mm, 10/10/4 (21.52mm) (clamps can fit glass thickness 1mm either way). Included in each 2.5m pack are 2 rubber seals (2.5m) to suit chosen glass thickness, 7x plastic carriers and 7 x plastic wedges. Included in each 5m pack are 2 rubber seals (5m) to suit chosen glass thickness, 14x plastic carriers and 14x plastic wedges.



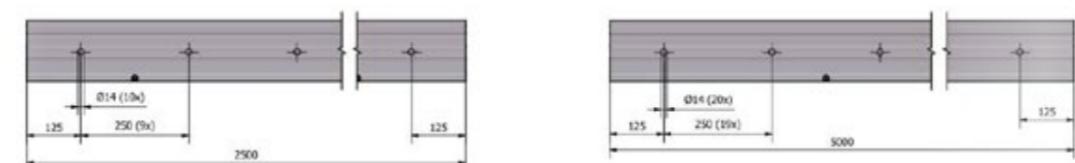
Side Mount Fixing System

ITEM	QTY	LENGTH	CODE (2.5M / 5M)
SIDE DRILLED CHANNEL*	1	2.5M OR 5M	C.O6902.000.11 / C.O6902.050.11
GLASS CLAMP KIT**	1	(2.5M OR 5M)	-- --
12 mm	--	--	C.O6913.012.10 / C.O6913.012.11
13.5 mm	--	--	C.O6913.013.10 / C.O6913.013.11
15 mm	--	--	C.O6913.015.10 / C.O6913.015.11
8/8 / 4 (17.52 mm)	--	--	C.O6913.017.10 / C.O6913.017.11
19mm	--	--	C.O6913.019.10 / C.O6913.019.11
10/10 / 4 (21.52 mm)	--	--	C.O6913.021.10 / C.O6913.021.11



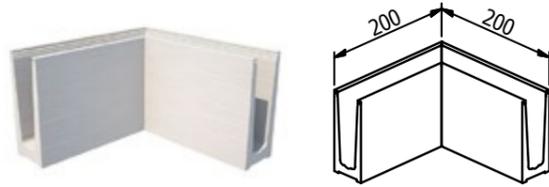
*2.5m profile pre drilled 50mm from the ends and then 100mm thereafter. 5m profile pre drilled 50mm from the ends and then 100mm thereafter. To suit 12mm fixing bolt. Drilled through both walls.

**Clamp kit designed for 2.5m or 5m length of channel. Please specify whether for 12mm, 13.5mm, 15mm, 8/8/4 (17.52mm), 19mm, 10/10/4 (21.52mm) (clamps can fit glass thickness 1mm either way). Included in each 2.5m pack are 2 rubber seals (2.5m) to suit chosen glass thickness, 7x plastic carriers and 7 x plastic wedges. Included in each 5m pack are 2 rubber seals (5m) to suit chosen glass thickness, 14x plastic carriers and 14x plastic wedges.



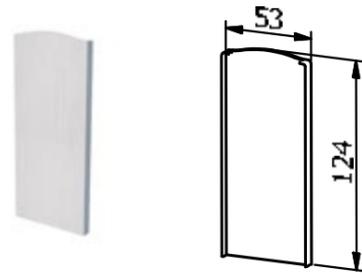
Flex Fit

Base Mount Components



INSIDE/OUTSIDE CORNER

CODE
C.O.6912.019.10



END CAPS

CODE
C.O.6906.000.10 LEFT & RIGHT



END CAP FOR STAIRCASE

CODE
C.O.6010.491.10 LEFT & RIGHT

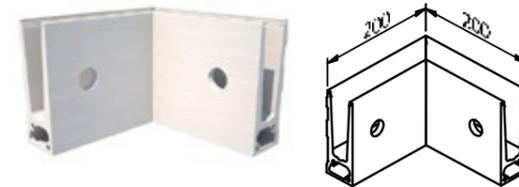


SPACER

CODE	L	H	W	DRILL HOLE	NUMBER PER 2.5M	□
C.O.6010.500.11	65MM	18MM	55MM	14MM	17	17

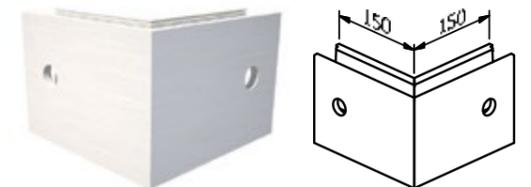
Flex Fit

Side Mount Components



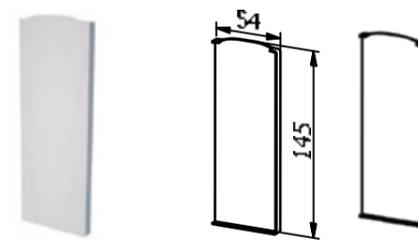
INSIDE CORNER

CODE
C.O.6912.019.11



OUTSIDE CORNER

CODE
C.O.6912.020.11



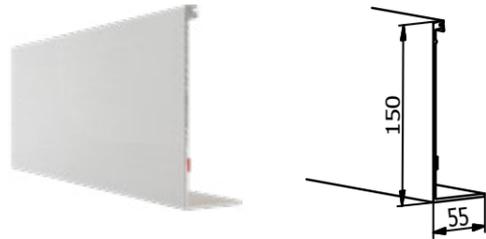
END CAPS WITH SIDE CLADDING*

CODE
C.O.6011.410.11 LEFT
C.O.6011.460.11 RIGHT

*End Caps also available for use without side cladding.

Flex Fit

Side Mount Components



SIDE CLADDING

CODE	L
C.O6904.000.11	2.5m
C.O6904.050.11	5m



EXTENSION PIN

CODE
C.O6908.000.10



BLANKING CAP

CODE	COLOUR	DIAMETER
C.O90.70000.025.45	GREY	25MM
C.O90.70000.030.45	GREY	30MM



LEFT/RIGHT END CAP, STAIRCASE WITH SIDE CLADDING*

CODE	
C.O.6011.411.11	LEFT
C.O.6011.461.11	RIGHT

*End Caps also available for use without side cladding.



SPACER

CODE	NUMBER PER 2.5M	INNER DRILL HOLE	□
CO.10.6011.500.11	10	14MM	10

Flex Fit

General Components



FLEX FIT TOOL

CODE
C.O6909.000.10



COMBITOOL

CODE
C.O6927.001.10



MOUNTING BLOCK

CODE
C.O6921.010.10

Flex Fit Pro

Origin Flex Fit Pro is the equivalent of Origin Flex Fit but is more appropriate for commercial applications. For certain glass thicknesses, it is fully tested to 1.5kN. Sleek and elegant it is a popular alternative to Origin Flex Fit, particularly when a higher load bearing is required.

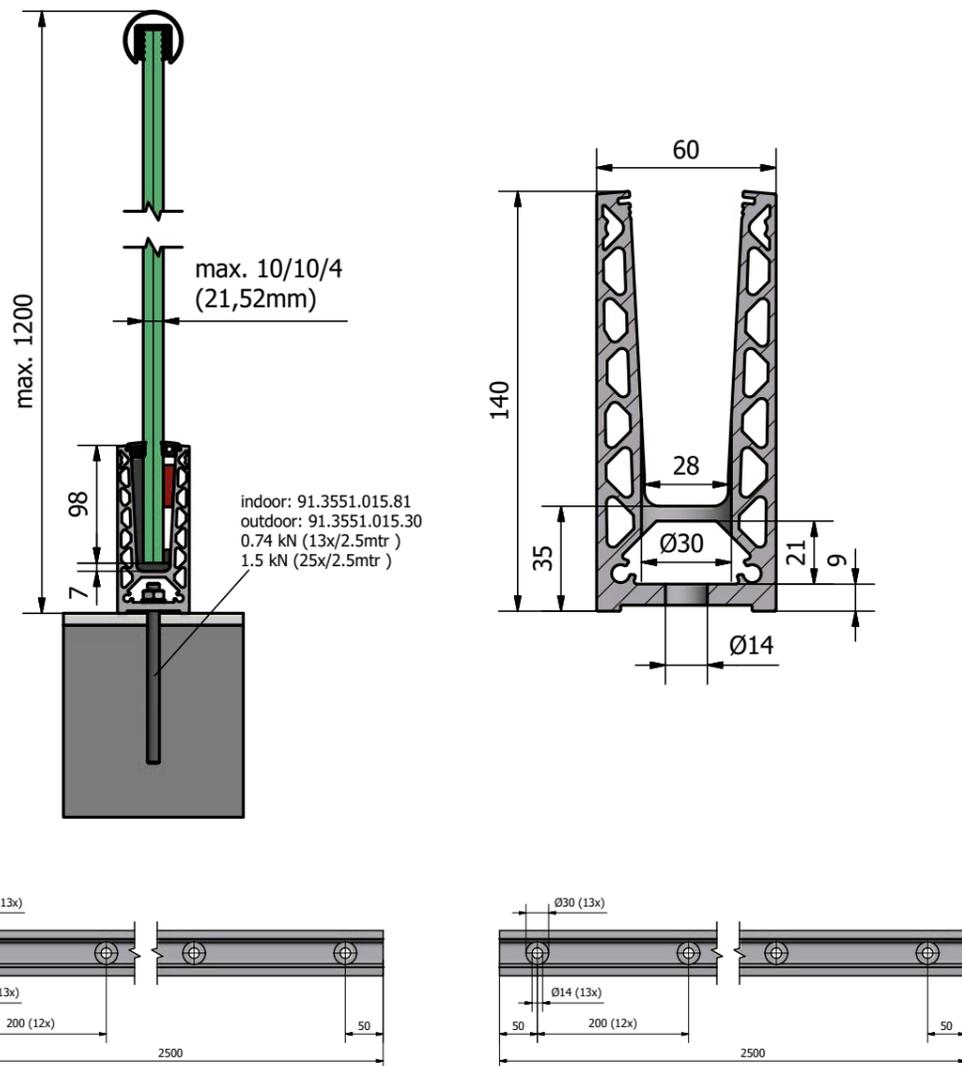
Installation

As with Origin Flex Fit, Flex Fit Pro can be adjusted from the balcony side only. The outstanding feature of Origin Flex Fit Pro is the increase in mounting distances which make it cheaper (in terms of the number of fixings required) and quicker to install.



Base Mount Fixing System

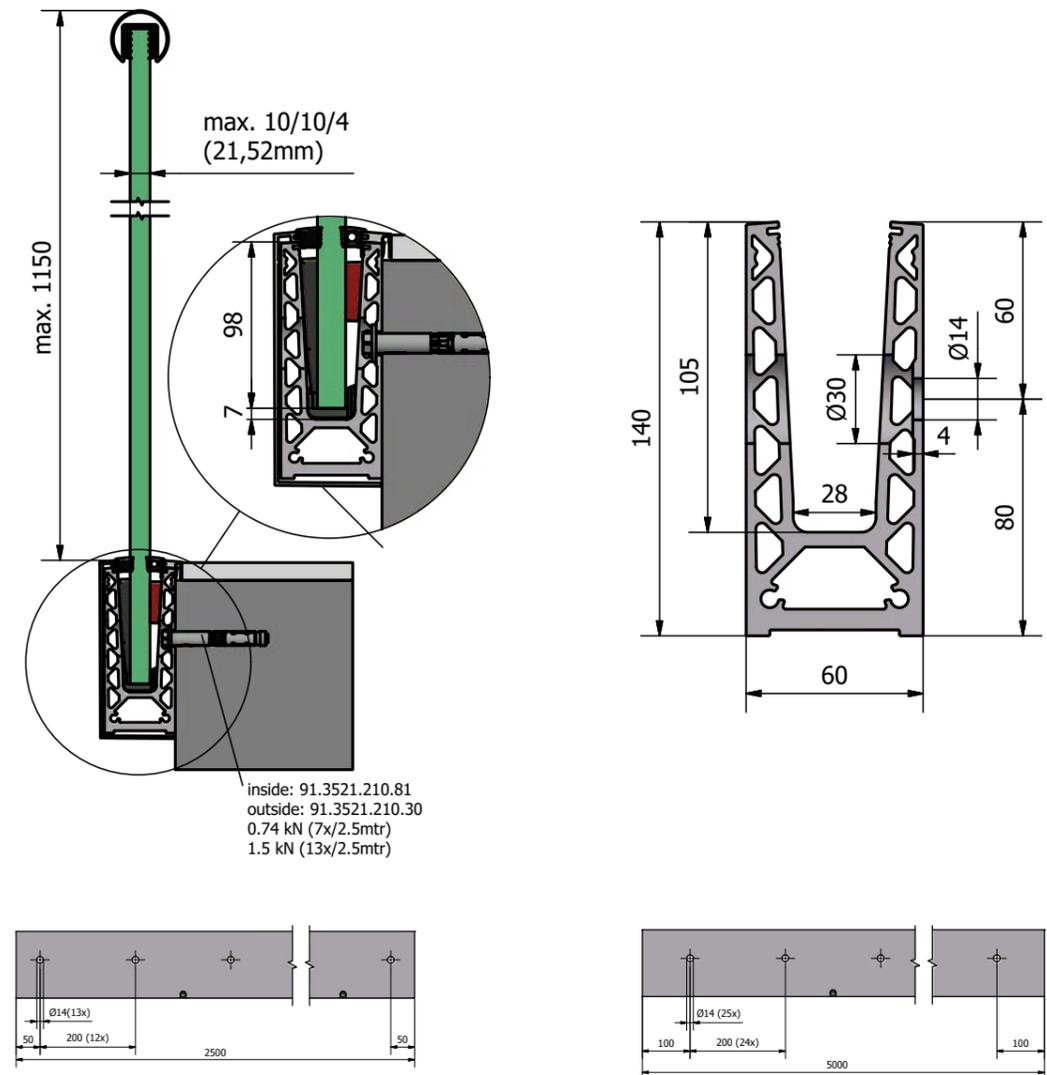
ITEM	QTY	LENGTH	CODE (2.5M / 5M)
BASE DRILLED CHANNEL*	1	2.5M OR 5M	C.06020.002.11/C.06020.005.11
GLASS CLAMP KIT **	1	(2.5M OR 5M)	-- --
12 mm	--	--	C.O6913.012.10/C.O6913.012.11
13.5 mm	--	--	C.O6913.013.10/C.O6913.012.11
15 mm	--	--	C.O6913.015.10/C.O6913.015.11
8/8 / 4 (17.52 mm)	--	--	C.O6913.017.10/C.O6913.017.11
10/10 / 4 (21.52 mm)	--	--	C.O6913.021.10/C.O6913.021.11



*2.5m profile pre drilled 50mm from the ends and then 150mm thereafter. 5m profile pre drilled 25mm from the ends and then 150mm thereafter. To suit 12mm fixing bolt.
 **Clamp kit designed for 2.5m or 5m length of channel. Please specify whether for 12mm, 8/8/4 (17.52mm), 19mm, 10/10/4 (21.52mm) (clamps can fit glass thickness 1mm either way). Included in each 2.5m pack are 2 rubber seals (2.5m) to suit chosen glass thickness, 7x plastic carriers and 7 x plastic wedges. Included in each 5m pack are 2 rubber seals (5m) to suit chosen glass thickness, 14x plastic carriers and 14x plastic wedges.

Side Mount Fixing System

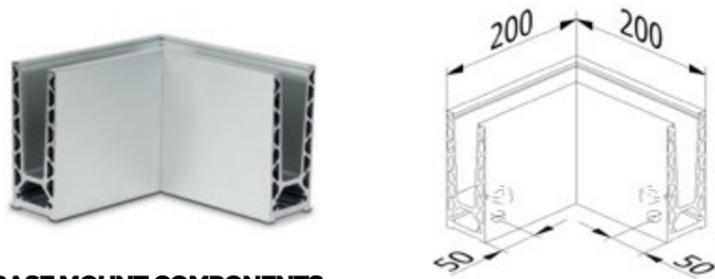
ITEM	QTY	LENGTH	CODE (2.5M / 5M)
SIDE DRILLED CHANNEL	1	2.5M OR 5M	C.06021.002.11/C.06021.005.11
GLASS CLAMP KIT **	1	(2.5M OR 5M)	-- --
12 mm	--	--	C.O6913.012.10/C.O6913.012.11
13.5 mm	--	--	C.O6913.013.10/C.O6913.012.11
15 mm	--	--	C.O6913.015.10/C.O6913.015.11
8/8 / 4 (17.52 mm)	--	--	C.O6913.017.10/C.O6913.017.11
10/10 / 4 (21.5 mm)	--	--	C.O6913.021.10/C.O6913.021.11



*2.5m profile pre drilled 50mm from the ends and then 150mm thereafter. 5m profile pre drilled 25mm from the ends and then 150mm thereafter. To suit 12mm fixing bolt. Drilled through both walls.
 **Clamp kit designed for 2.5m or 5m length of channel. Please specify whether for 12mm, 8/8/4 (17.52mm), 19mm, 10/10/4 (21.52mm) (clamps can fit glass thickness 1mm either way). Included in each 2.5m pack are 2 rubber seals (2.5m) to suit chosen glass thickness, 7x plastic carriers and 7 x plastic wedges. Included in each 5m pack are 2 rubber seals (5m) to suit chosen glass thickness, 14x plastic carriers and 14x plastic wedges.

Flex Fit Pro

Base Mount Components



**BASE MOUNT COMPONENTS
INSIDE/OUTSIDE CORNER**

CODE	SIDE LENGTH INSIDE	SIDE LENGTH OUTSIDE
C.O6020.390.11	140	200



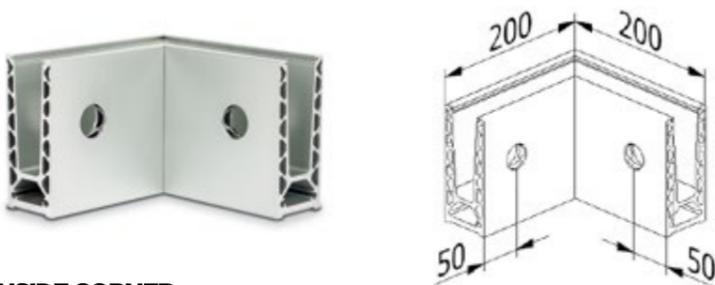
END CAP, LEFT/RIGHT

CODE
C.O6020.490.11

SPACER

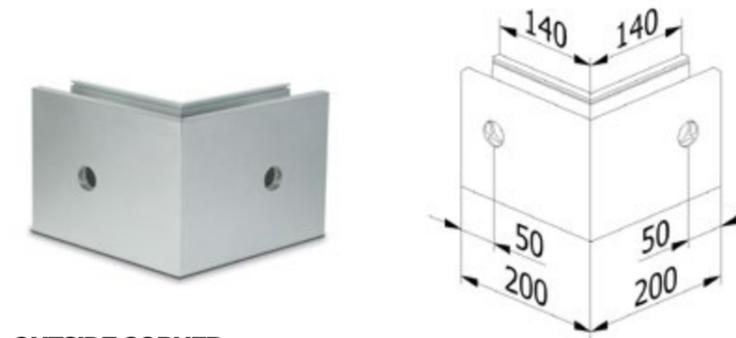
CODE	INNER DRILL HOLE	□
C.O6020.500.11	14	17

Side Mount Components



INSIDE CORNER

CODE	SIDE LENGTH INSIDE	SIDE LENGTH OUTSIDE
C.O621.300.11	140	200



OUTSIDE CORNER

CODE	SIDE LENGTH INSIDE	SIDE LENGTH OUTSIDE
C.O621.350.11	140	200



END CAPS WITH SIDE CLADDING*

CODE	SIDE
C.O6021.410.11	LEFT
C.O6021.460.11	RIGHT

*End Caps also available for use without side cladding

END CAP FOR STAIRCASE WITH SIDE CLADDING*

CODE	SIDE
C.O6021.411.11	LEFT
C.O6021.461.11	RIGHT

*End Caps also available for use without side cladding



SIDE CLADDING

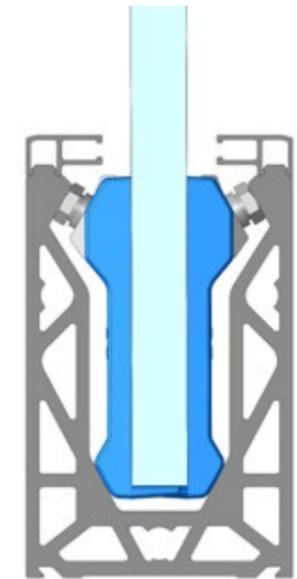
CODE	LENGTH
C.O6021.202.11	2.5M
C.O6021.205.11	5M

Easy Fit

Origin Easy Fit is a fully adjustable system for balustrades and partitions. It is a market leading product for use in both residential and commercial applications. It can be specified for glass thicknesses from 12.5mm to 21.5mm.

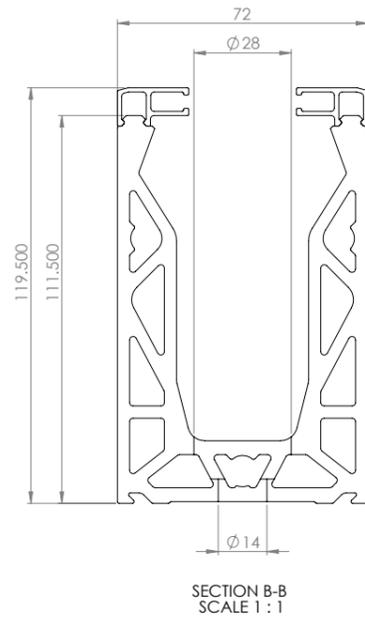
Installation

Origin Easy Fit is designed to be simple to install. It has an adjustment system allowing horizontal alignment of each glass panel. Its dry glazed wedge system allows for clean installation and easy replacement of broken glass panels. It can be installed without having to ensure that the fitting surface is perfectly level.

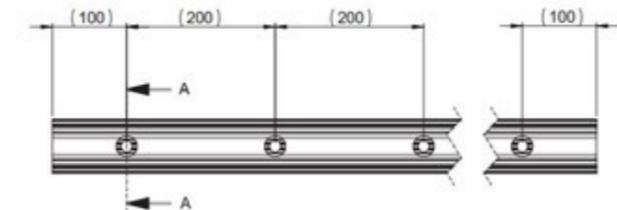


Base Mount Fixing System

ITEM	QTY	LENGTH	CODE
BASE DRILLED CHANNEL*	1	3M	C.P6902.001.10
GLASS CLAMP KIT**	1	N/A	
12mm	--	--	C.P6913.012.10
13.5mm	--	--	C.P6913.013.10
15mm	--	--	C.P6913.015.10
17.5mm	--	--	C.P6913.017.10
19mm	--	--	C.P6913.019.10
21.5mm	--	--	C.P6913.021.10
COVER PLATE TOP	2	3M	C.P6903.000.10
SPANNER (10MM HEAD)	1	N/A	C.P6909.000.10
SIDE CLADDING	2	3M	C.P6904.000.11

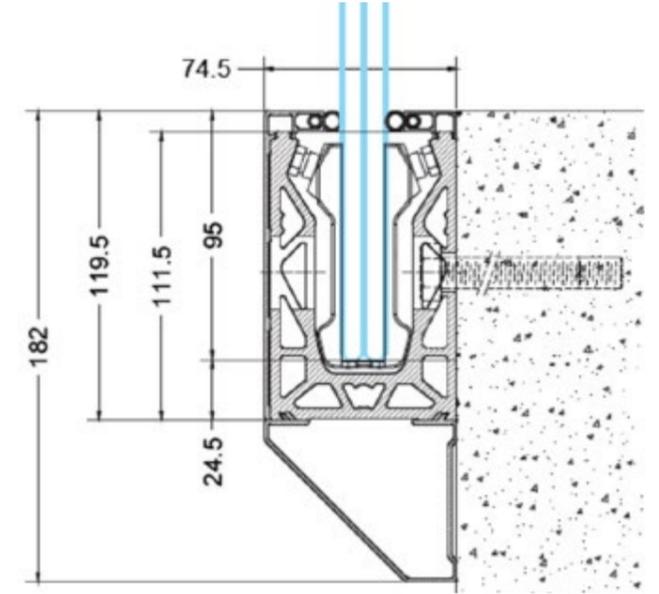


*Pre drilled 100m from the ends and then 200m thereafter. To suit 12mm fixing bolt.
 **Clamp kit designed for 3m length of channel. Please specify whether for 12mm, 13.5mm, 15mm, 17.5mm, 19mm or 21.5mm glass (clamps can fit glass thickness 1mm either way). Included in each pack are 12x clamps, 12 x clamp bars (clamp bars sit in the top mould of the clamps) and 6m rubber seal to suit chosen glass thickness

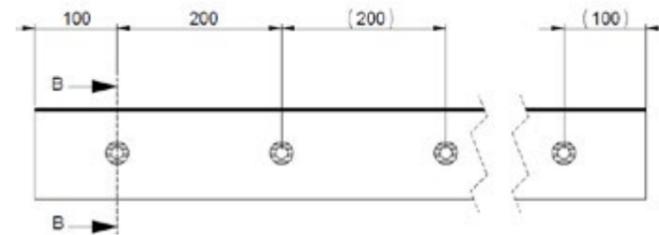


Side Mount Fixing System

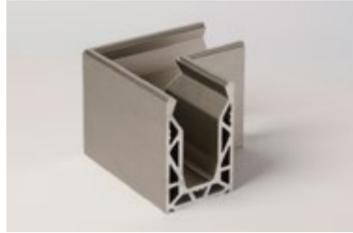
ITEM	QTY	LENGTH	CODE
SIDE DRILLED CHANNEL*	1	3M	C.P6902.001.11
GLASS CLAMP KIT**	1	N/A	
12mm	--	--	C.P6913.012.10
13.5mm	--	--	C.P6913.013.10
15mm	--	--	C.P6913.015.10
17.5mm	--	--	C.P6913.017.10
19mm	--	--	C.P6913.019.10
21.5mm	--	--	C.P6913.021.10
COVER PLATE TOP	1	3M	C.P6903.000.10
SPANNER (10MM HEAD)	1	N/A	C.P6909.000.10
BOTTOM CLADDING	1	3M	C.P6905.001.11
SIDE CLADDING	1	3M	C.P6904.000.11



*Pre drilled 100m from the ends and then 200m thereafter. To suit 12mm fixing bolt. Drilled through both walls.
 **Clamp kit designed for 3m length of channel. Please specify whether for 12mm, 13.5mm, 15mm, 17.5mm, 19mm or 21.5mm glass (clamps can fit glass thickness 1mm either way). Included in each pack are 12x clamps, 12 x clamp bars (clamp bars sit in the top mould of the clamps) and 6m rubber seal to suit chosen glass thickness

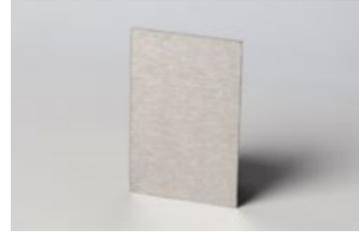


Easy Fit Additional Components



90° CORNER

CODE
C.P6912.000.10



END CAPS

CODE
C.P6906.001.10 End Cap Base Fix



END CAPS

CODE
C.P6907.003.11 End Cap Shaped Right Side Fix with Cladding



END CAPS

CODE
C.P6907.004.11 End Cap Shaped Left Side Fix with Cladding



DOWELS

CODE
C.P6908.000.10



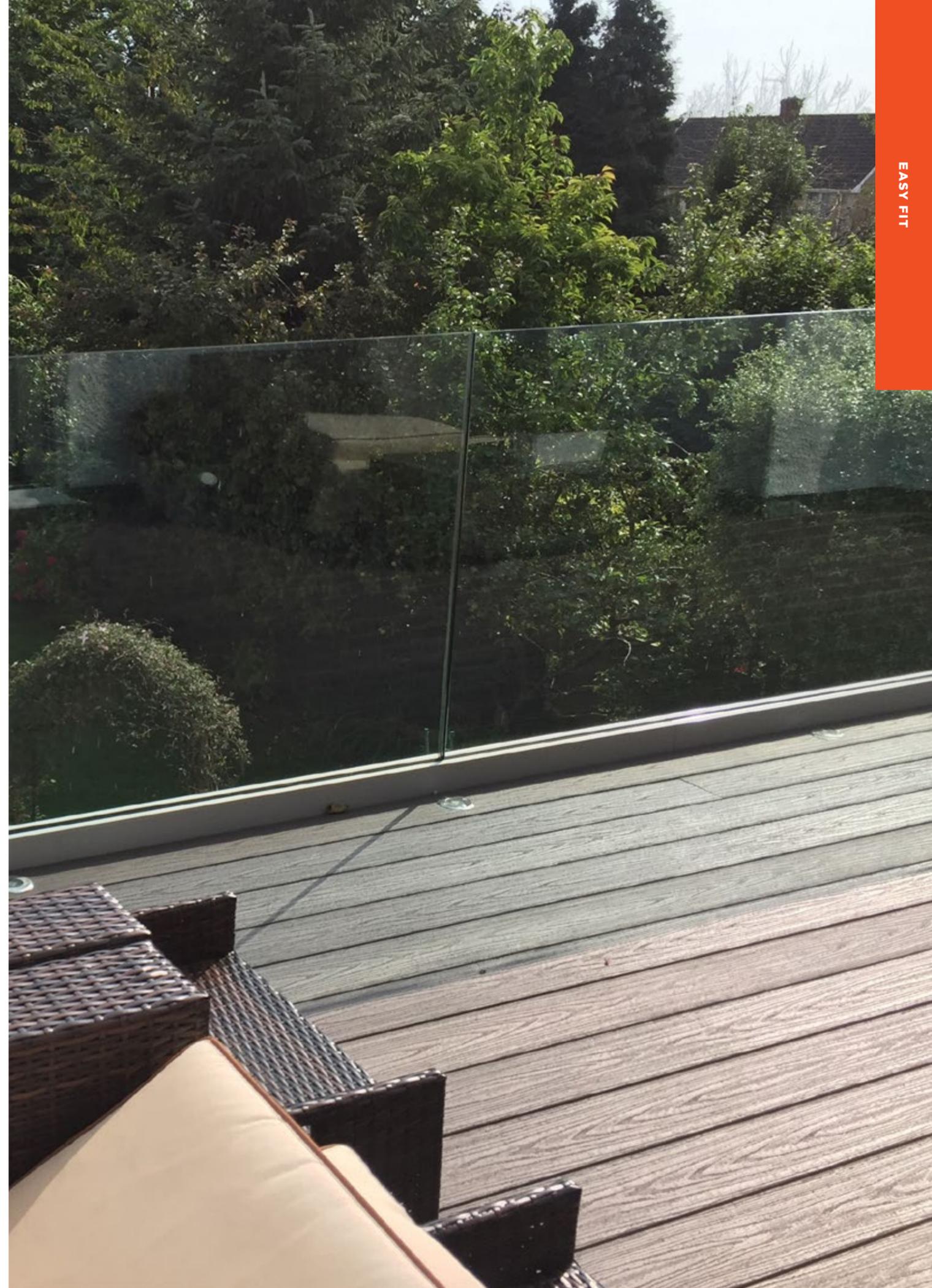
SPANNER

CODE
C.P6909.000.10 Angled to reach clamp bolts. 10mm head.



DRAINAGE BLOCK

CODE
C.P6934.000.10 Fitted To Allow Water To Flow Freely



Channel Fixings



FIXING TO STEEL

CODE	DESCRIPTION
B17.0615.050.12	M12 X 100MM Countersunk Socket Screw Nut And Washer



FIXING TO TIMBER - COUNTERSUNK (NOT TESTED)

CODE	DESCRIPTION
B17.0614.050.12	Chipboard screw countersunk 120mm



FIXING TO TIMBER (NOT TESTED) - HEX HEAD (USE WITH FLEX FIT PRO AND EASY FIT)

CODE	DESCRIPTION
B17.0618.050.12	Hex Head coach screw M10 x 120



RESIN

CODE	DESCRIPTION
B17.0810.700.12	300ML RESIN



RESIN GUN

CODE	DESCRIPTION
B17.0810.702.12	400ML SEALANT GUN



FIXING TO CONCRETE - EXPANSION BOLT

CODE	DESCRIPTION
B17.0612.050.12	Countersunk Expansion Bolt M12 120mm



FIXING TO CONCRETE - RESIN FIX

CODE	DESCRIPTION
B17.0621.050.12	Countersunk head for threaded bar



FIXING TO CONCRETE - RESIN FIX

CODE	DESCRIPTION
B17.0800.150.STAINLESS	Threaded bar M10 x 150mm stainless



FIXING TO CONCRETE - RESIN FIX

CODE	DESCRIPTION
B17.0800.150.ZINC	Threaded bar M10 x 150mm zinc



FIXING TO CONCRETE - RESIN FIX

CODE	DESCRIPTION
B17.0800.200.ZINC	Threaded bar M10 x 200mm zinc



FIXING TO CONCRETE - SELF TAP

CODE	DESCRIPTION
B17.0622.050.12	M12 X 100 Self tapping concrete bolt

Channel System Test Data

All of Origin's channel systems are engineered to meet the strictest building regulations. The test results for each system are shown in the tables across. Glass sizes and types are shown with the maximum achieved kN/m rating in accordance with BS EN6180:2011 (unless stated) which requires any instantaneous deflection to be no more than 25mm.

To help you decide which channel system is most appropriate for your application we have included the relevant table from BS EN6180:2011 which is set out on the page opposite. This specifies the kN per meter that the balustrade is required to withstand. The structural performance of a balustrade varies depending on the use and occupancy level of the building concerned.

Advice should always be sort from a structural engineer, particularly when fixing on to concrete.

Type of Occupancy for Part of the Building	Examples of Specific Use	Horizontal Uniformly Distributed Line Load (kN/m)
Domestic and residential activities	(i) all areas within or serving exclusively one single family dwelling including stairs, landings, etc but excluding external balconies and edges of roofs	0.36
	(ii) other residential, i.e. houses of multiple occupancy and balconies, including Juliette balconies and edges of roofs in single family dwellings	0.74
Offices and work areas not included elsewhere, including storage areas	(iii) light access stairs and gangways not more than 600 mm wide	0.22
	(iv) light pedestrian traffic routes in industrial and storage buildings except designated escape routes	0.36
	(v) areas not susceptible to overcrowding in office and institutional buildings, also industrial and storage buildings except as given above	0.74
Areas where people might congregate	(vi) areas having fixed seating within 530 mm of the barrier, balustrade or parapet	1.50
Areas with tables or fixed seating	(vii) restaurants and bars	1.50
Areas without obstacles for moving people and not susceptible to overcrowding	(viii) stairs, landings corridors ramps	0.74
	(ix) external balconies including Juliette balconies and edges of roofs; footways and pavements within building cartilage adjacent to basement/sunken areas	0.74
Areas susceptible to overcrowding	(x) footways or pavements less than 3 m wide adjacent to sunken areas	1.50
	(xi) theatres, cinemas, discotheques, bars, auditoria, shopping malls, assembly areas, studios; footways or pavements greater than 3 m wide adjacent to sunken areas	3.00
	(xii) grandstands and stadia	(Note 1)
Retail areas	(xiii) all retail areas including public areas of banks/building societies or betting shops	1.50
Vehicular	(xiv) pedestrian areas in car parks, including stairs, landings, ramps, edges of internal floors, footways, edges of roofs	1.50 (Note 2)
	(xv) horizontal loads imposed by vehicles	(Note 2)

Note 1 - See requirements of appropriate certifying authority

Note 2 - Clause 8.1.1 of BS6180:2011 states that "glass should not be used for vehicle protection barriers"

Easy Fit

LINE LOAD TEST FIXED ON TO STEEL

GLASS	BASE MOUNT		SIDE MOUNT	
	0.74 KN/M	1.5 KN/M	0.74 KN/M	1.5 KN/M
15MM TOUGHENED HEAT SOAKED	●		●	
19MM TOUGHENED HEAT SOAKED	●	●	●	
21.5MM EVA LAMINATED TOUGHENED HEAT SOAKED	●		●	
21.5MM RIGID LAMINATED TOUGHENED HEAT SOAKED	●	●	●	

Easy Fit

LINE LOAD TEST FIXED ON TO CONCRETE

GLASS	BASE MOUNT		SIDE MOUNT	
	0.74 KN/M	1.5 KN/M	0.74 KN/M	1.5 KN/M
15MM TOUGHENED HEAT SOAKED	●			
19MM TOUGHENED HEAT SOAKED	●	●	●	
21.5MM EVA LAMINATED TOUGHENED HEAT SOAKED	●		●	
21.5MM RIGID LAMINATED TOUGHENED HEAT SOAKED	●	●	●	

Quality Fit

LINE LOAD TESTED ON TO CONCRETE

BALUSTRADE TYPE	PANEL TYPE	TEST HEIGHT (MM)	IMPOSED LINE LOAD AT 25MM DEFLECTION (KN/M)	WORKING LINE LOAD FOR SYSTEM (KN/M)	DEFLECTION AT WORKING LINE LOAD FOR SYSTEM (MM)	RESIDUAL DEFLECTION
ORIGIN QUALITY FIT	12 mm Toughened	1100	0.61	0.36	7.86	1.76
	15 mm Toughened (5 Grips)	1100	0.83	0.74	17.87	2.70
	17.5 mm PVB	1100	0.86	0.74	19.66	1.15

Flex Fit

LINE LOAD TEST FIXED ON TO CONCRETE

GLASS	BASE MOUNT		SIDE MOUNT	
	0.74 KN/M	1.5 KN/M	0.74 KN/M	1.5 KN/M
LAMINATED TEMPERED PVB FOIL 8 8 4 (17.5MM)	●		●	
LAMINATED TEMPERED PVB FOIL 10 10 4 (21.5MM)	●		●	
15MM MONOLITHIC TEMPERED	●		●	
19MM MONOLITHIC TEMPERED	●		●	

Flex Fit Pro

LINE LOAD TESTED TO CONCRCETE USING CHEMICAL FIX*

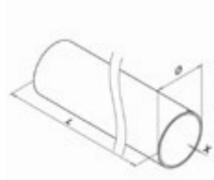
BASE RAIL	GLASS	FIXING CENTRES (MM)	HEIGHT OF APPLIED LOAD (MM)	IMPOSED LINE LOAD AT 25 MM DEFLECTION (KN/M)	WORKING LINE LOAD FOR SYSTEM (KN/M)	DEFLECTION AT WORKING LINE LOAD FOR SYSTEM (MM)
SYSTEM TL6020	10 10 4 DG FOIL	100	1292	1.55	1.50	24.12
	10 10 4	400	1150	1.55	1.50	24.48
	10 10 4	600	1150	0.75	0.74	24.97
	10 10 4	400	1242	1.42	0.74	13.21
	8 8 4	200	1292	0.76	0.74	24.33
	19MM	400	1150	1.50	1.50	24.96
	19MM	200	1242	1.55	1.50	24.48
	19MM	600	1242	0.89	0.74	18.14
	19MM	200	1292	1.33	0.74	13.69
	15MM	200	1292	0.78	0.74	24.41

Flex Fit Pro

LINE LOAD TESTED TO STEEL USING MECHANICAL FIX

BASE RAIL	GLASS	FIXING CENTRES (MM)	HEIGHT OF APPLIED LOAD (MM)	IMPOSED LINE LOAD AT 25 MM DEFLECTION (KN/M)	WORKING LINE LOAD FOR SYSTEM (KN/M)	DEFLECTION AT WORKING LINE LOAD FOR SYSTEM (MM)
SYSTEM TL6020	10 10 4	400	1150	1.57	1.5	23.93
	10 10 4	200	1200	1.82	1.5	20.34
	10 10 4	600	1242	0.83	0.74	19.55
	19MM	200	1242	1.53	1.5	24.51
	19MM	400	1150	1.52	1.62	22.92
	19MM	600	1242	0.74	25.00	25.00

Round Tubes



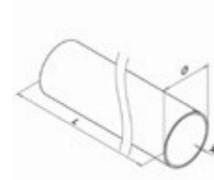
6M STAINLESS STEEL ROUND TUBE

304

CODE	∅	X	L
B04.0900.242.12	42.4	2	6000mm
B04.0900.042.12	42.4	2.5	6000mm
B04.0900.248.12	48.3	2	6000mm
B04.0900.048.12	48.3	2.5	6000mm

316

CODE	∅	X	L
B16.0900.242.12	42.4	2	6000mm
B16.0900.042.12	42.4	2.5	6000mm
B16.0900.248.12	48.3	2	6000mm
B16.0900.048.12	48.3	2.5	6000mm



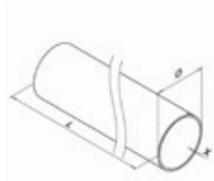
1M STAINLESS STEEL ROUND TUBE

304

CODE	∅	X	L
B04.0900.242.12	42.4	2	1000mm
B04.0900.042.12	42.4	2.5	1000mm
B04.0900.248.12	48.3	2	1000mm
B04.0900.048.12	48.3	2.5	1000mm

316

CODE	∅	X	L
B16.0900.242.12	42.4	2	1000mm
B16.0900.042.12	42.4	2.5	1000mm
B16.0900.248.12	48.3	2	1000mm
B16.0900.048.12	48.3	2.5	1000mm



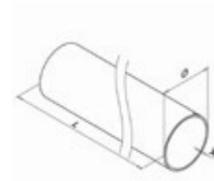
2M STAINLESS STEEL ROUND TUBE

304

CODE	∅	X	L
B04.0900.242.12	42.4	2	2000mm
B04.0900.042.12	42.4	2.5	2000mm
B04.0900.248.12	48.3	2	2000mm
B04.0900.048.12	48.3	2.5	2000mm

316

CODE	∅	X	L
B16.0900.242.12	42.4	2	2000mm
B16.0900.042.12	42.4	2.5	2000mm
B16.0900.248.12	48.3	2	2000mm
B16.0900.048.12	48.3	2.5	2000mm



3M STAINLESS STEEL ROUND TUBE

304

CODE	∅	X	L
B04.0900.242.12	42.4	2	3000mm
B04.0900.042.12	42.4	2.5	3000mm
B04.0900.248.12	48.3	2	3000mm
B04.0900.048.12	48.3	2.5	3000mm

316

CODE	∅	X	L
B16.0900.242.12	42.4	2	3000mm
B16.0900.042.12	42.4	2.5	3000mm
B16.0900.248.12	48.3	2	3000mm
B16.0900.048.12	48.3	2.5	3000mm

End Caps



END CAP - FLAT

316

CODE	∅
B16.5732.242.12	42.4 x 2.0
B16.5732.042.12	42.4 x 2.6
B16.5732.248.12	48.3 x 2.0
B16.5732.048.12	48.3 x 2.6



END CAP - CURVED

316

CODE	∅
B16.5729.242.12	42.4 x 2.0
B16.5729.042.12	42.4 x 2.6
B16.5729.248.12	48.3 x 2.0
B16.5729.048.12	48.3 x 2.6



GROOVED END CAP

316

CODE	∅
B16.5731.242.12	42 x 2.0



DOMED END CAP

316

CODE	∅
B16.5730.242.12	42 x 2.0

Tube Fittings



90° TUBE END

316	
CODE	∅
B16.0739.242.12	42.4 x 2.0
B16.0739.042.12	42.4 x 2.6
B16.0739.248.12	48.3 x 2.0



CONNECTORS 135° ELBOW RADIUSED

316	
CODE	∅
B16.0300.242.12	42.4 x 2.0
B16.0300.042.12	42.4 x 2.6
B16.0300.248.12	48.3 x 2.0



CONNECTORS 90° ACUTE

316	
CODE	∅
B16.0301.242.12	42.4 x 2.0
B16.0301.042.12	42.4 x 2.6
B16.0301.248.12	48.3 x 2.0



CONNECTORS 0-90° RADIUSED

316	
CODE	∅
B16.0305.242.12	42.4 x 2.0
B16.0305.042.12	42.4 x 2.6
B16.0305.248.12	48 x 2.0
B16.0305.048.12	48.3 x 2.6



3 WAY CORNER

304	
CODE	∅
B04.0304.248.12	48.2 x 2.0

316	
CODE	∅
B16.0304.242.12	42.4 x 2.0
B16.0304.248.12	48.3 x 2.0



0-90° ROTATABLE ELBOW

316	
CODE	∅
B16.0791.242.12	42.4 x 2.0
B16.0791.248.12	48.3 x 2.0



CONNECTORS 90° ELBOW SWEEPING

316	
CODE	∅
B16.0303.242.12	42.4 x 2.0
B16.0303.048.12	48.3 x 2.6
B16.0303.248.12	48.3 x 2.0



90° WELDED ELBOW

316	
CODE	∅
B16.1305.242.12	42.4 x 2.0
B16.1305.048.12	48.3 x 2.6



ADJUSTABLE CONNECTOR +/- 90°

316	
CODE	∅
B16.0302.242.12	42.4 x 2.0
B16.0302.042.12	42.4 x 2.6
B16.0302.248.12	48.3 x 2.0
B16.0302.048.12	48.3 x 2.6



ADJUSTABLE CONNECTOR +/- 70°

316	
CODE	∅
B16.0312.242.12	42.4 x 2.0
B16.0312.042.12	42.4 x 2.6
B16.0312.248.12	48.3 x 2.0



TUBE CONNECTORS

304	
CODE	∅
B04.0790.242.12	42.4 x 2.0
B04.0790.042.12	42.4 x 2.6

316	
CODE	∅
B16.0790.242.12	42.4 x 2.0
B16.0790.042.12	42.4 x 2.6
B16.0790.048.12	48.3 x 2.6
B16.0790.248.12	48.3 x 2.0



180° TEE

316	
CODE	∅
B16.0307.242.12	42.4 x 2.0
B16.0307.248.12	48.3 x 2.0



HANDRAIL ADAPTERS

316	
CODE	D
B16.0772.242.12	42 X 2
B16.0771.248.12	48.3 X 2

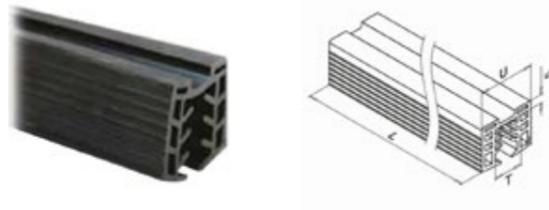
Slotted Tube Handrail Round



STAINLESS STEEL SLOTTED TUBE ROUND

304					
CODE	Ø	T	U	H	L
B04.6920.042.12	42.4	1.5	24	24	6000mm
B04.6920.048.12	48.3	1.5	27	30	6000mm

316					
CODE	Ø	T	U	H	L
B16.6920.042.12	42.4	1.5	24	24	6000mm
B16.6920.048.12	48.3	1.5	27	30	6000mm



RUBBER PROFILES Ø42.4

CODE	U	T	L
B19.5042.008.00	24	8 - 11	6000mm
B19.5042.011.00	24	11.5 - 13.5	6000mm
B19.5042.015.00	24	15	6000mm
B19.5042.016.00	24	15 - 17.5	6000mm
B19.5042.019.00	24	19	6000mm
B19.5042.022.00	24	20 - 21.5	6000mm

Ø48.3			
CODE	U	T	L
B19.5048.008.00	27	8 - 11	6000mm
B19.5048.011.00	27	11.5 - 13.5	6000mm
B19.5048.015.00	27	15	6000mm
B19.5048.016.00	27	15 - 17.5	6000mm
B19.5048.019.00	27	19	6000mm
B19.5048.022.00	27	20 - 21.5	6000mm



WALL FLANGE FOR SLOTTED TUBE

304	
CODE	Ø
B04.6505.042.12	42.4
B04.6505.048.12	48.3

316	
CODE	Ø
B16.6505.042.12	42.4
B16.6505.048.12	48.3



ROUND END FITTING FOR SLOTTED TUBE

316	
CODE	Ø
B16.6732.042.12	42.4 x 1.5
B16.6732.048.12	48.3 x 1.5



90° HORIZONTAL CONNECTOR FOR SLOTTED TUBE

316		
CODE	Ø	H
B16.6313.042.12	42.4 x 1.5	30
B16.6313.048.12	48.3 x 1.5	35



90° VERTICAL CONNECTOR FOR SLOTTED TUBE

316	
CODE	Ø
B16.6303.042.12	42.4 x 1.5
B16.6303.048.12	48.3 x 1.5



25 TO 55 DEGREES DOWNWARDS CONNECTOR FOR SLOTTED TUBE

316	
CODE	Ø
B16.6302.042.12	42.4 x 1.5
B16.6302.048.12	48.3 x 1.5



25 TO 55 DEGREES UPWARDS CONNECTOR FOR SLOTTED TUBE

316	
CODE	Ø
B16.6312.042.12	42.4 x 1.5
B16.6312.048.12	48.3 x 1.5

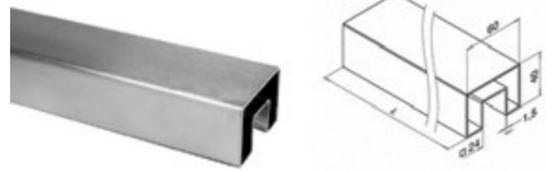


TUBE CONNECTOR FOR SLOTTED TUBE

316	
CODE	Ø
B16.6790.042.12	42.4 x 1.5
B16.6790.048.12	48.3 x 1.5

Slotted Tube Handrail

Rectangular



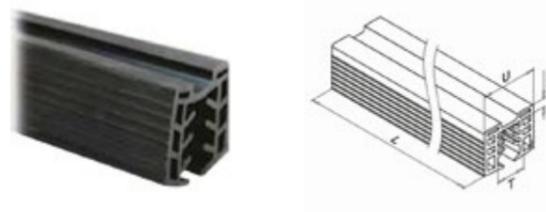
STAINLESS STEEL SLOTTED TUBE RECTANGULAR

304

CODE	Ø	T	L
B04.6920.640.12	60 x 40	15	6000mm

316

CODE	Ø	T	L
B16.6920.640.12	60 x 40	15	6000mm



RUBBER PROFILES Ø42.4

CODE	U	T	L
B19.5042.008.00	24	8 - 11	6000mm
B19.5042.011.00	24	11.5 - 13.5	6000mm
B19.5042.015.00	24	15	6000mm
B19.5042.016.00	24	15 - 17.5	6000mm
B19.5042.019.00	24	19	6000mm
B19.5042.022.00	24	20 - 21.5	6000mm



90° CONNECTOR FOR RECTANGULAR SLOTTED TUBE

316

CODE	DIMENSIONS
B16.6313.640.12	60 x 40

Ø48.3

CODE	U	T	L
B19.5048.008.00	27	8 - 11	6000mm
B19.5048.011.00	27	11.5 - 13.5	6000mm
B19.5048.015.00	27	15	6000mm
B19.5048.016.00	27	15 - 17.5	6000mm
B19.5048.019.00	27	19	6000mm
B19.5048.022.00	27	20 - 21.5	6000mm



ADJUSTABLE CONNECTOR UPWARDS FOR RECTANGULAR SLOTTED TUBE

316

CODE	DIMENSIONS
B16.6312.640.12	60 x 40



180° CONNECTOR FOR RECTANGULAR SLOTTED TUBE

316

CODE	DIMENSIONS
B16.6790.640.12	60 x 40



WALL FLANGE FOR RECTANGULAR SLOTTED TUBE

316

CODE	DIMENSIONS
B16.6505.640.12	60 x 40



END CAP FOR RECTANGULAR SLOTTED TUBE

316

CODE	DIMENSIONS
B16.6732.640.12	60 x 40

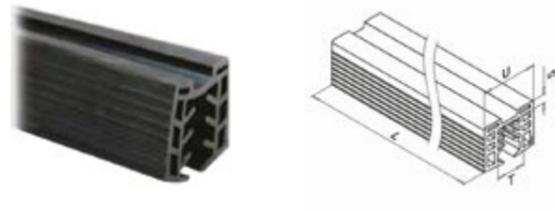
Slotted Tube Handrail Square



STAINLESS STEEL SLOTTED TUBE SQUARE

316

CODE	Ø	T	L
B16.6920.040.12	40 x 40	1.5	6000mm



RUBBER PROFILES Ø42.4

CODE	U	T	L
B19.5042.008.00	24	8 - 11	6000mm
B19.5042.011.00	24	11.5 - 13.5	6000mm
B19.5042.015.00	24	15	6000mm
B19.5042.016.00	24	15 - 17.5	6000mm
B19.5042.019.00	24	19	6000mm
B19.5042.022.00	24	20 - 21.5	6000mm

Ø48.3

CODE	U	T	L
B19.5048.008.00	27	8 - 11	6000mm
B19.5048.011.00	27	11.5 - 13.5	6000mm
B19.5048.015.00	27	15	6000mm
B19.5048.016.00	27	15 - 17.5	6000mm
B19.5048.019.00	27	19	6000mm
B19.5048.022.00	27	20 - 21.5	6000mm



90° CONNECTOR FOR SQUARE SLOTTED TUBE

316

CODE	DIMENSIONS
B16.6313.040.12	40 x 40



ADJUSTABLE CONNECTOR FOR SQUARE SLOTTED TUBE

316

CODE	DIMENSIONS
B16.6302.040.12	40 x 40



180° CONNECTOR FOR SQUARE SLOTTED TUBE

316

CODE	DIMENSIONS
B16.6790.040.12	40 x 40



WALL FLANGE FOR SQUARE SLOTTED TUBE

316

CODE	DIMENSIONS
B16.6505.040.12	40 x 40



END CAP FOR SQUARE SLOTTED TUBE

316

CODE	DIMENSIONS
B16.6732.040.12	40 x 40

Aluminium Capping



ALUMINIUM CAPPING - ANNODISED ALUMINIUM

CODE	GLASS THICKNESS	LENGTH
B16.6990.012.12	12MM	2.5M
B16.6990.015.12	15MM	2.5M
B16.6990.017.12	17MM	2.5M
B16.6990.021.12	21.5MM	2.5M

Wall Flanges



WALL FLANGES

316	
CODE	∅
B16.0505.042.12	42.4
B16.0505.048.12	48.3



0-50° ADJUSTABLE WALL CONNECTOR

316	
CODE	∅
B04.0506.042.12	42.4
B04.0506.048.12	48.3



WALL TUBE CONNECTOR

316	
CODE	∅
B16.0504.042.12	42.4
B16.0504.048.12	48.3

Base Plates and Base Covers



BASE PLATE 120MM DIAMETER

316		
CODE	TO FIT TUBE SIZE	D
B16.0942.242.00	42.4 2mm	120
B16.0942.042.00	42.4 2.6mm	120
B16.0942.248.00	48.3 2mm	120



BASE PLATE 100MM DIAMETER

304		
CODE	TO FIT TUBE SIZE	D
B04.0949.242.00	42.4 2mm	100
B04.0949.042.00	42.4 2.6mm	100
B04.0949.248.00	48.3 2mm	100

316		
CODE	TO FIT TUBE SIZE	D
B16.0949.242.00	42.4 2mm	100
B16.0949.042.00	42.4 2.6mm	100
B16.0949.248.00	48.3 2mm	100



BASE PLATE COVER 125MM DIAMETER

304		
CODE	∅	D
B04.0513.042.12	42.4	125
B04.0513.048.12	48.3	125



BASE PLATE COVER 105MM DIAMETER

304		
CODE	∅	D
B04.0512.042.12	42.4	105
B04.0512.048.12	48.3	105

316		
CODE	∅	D
B16.0513.042.12	42.4	125
B16.0513.048.12	48.3	125

316		
CODE	∅	D
B16.0512.042.12	42.4	105
B16.0512.048.12	48.3	105



BASE PLATE WELD ON

316		
CODE	∅	D
B16.0941.042.12	42.4	120
B16.0941.048.12	48.3	120



ADJUSTABLE BASE PLATE (+/- 55°)

316	
CODE	D
B16.0945.242.12	42.4
B16.0945.248.12	48.3

Baluster Brackets



ADJUSTABLE BALUSTER BRACKET

316

CODE	∅	PROJECTION
B16.0555.042.12	42.4	45
B16.0555.048.12	48.3	45



FIXED SLAB BRACKET

316

CODE	∅	PROJECTION
B16.0551.042.12	42.4	45
B16.0551.048.12	48.3	45



BALUSTER BRACKET - TUBE CLAMP

316

CODE	∅
B16.3507.042.12	42.4
B16.3507.048.12	48.3



RECTANGULAR BACK BALUSTER BRACKET

316

CODE	∅
B16.0557.042.12	42.4
B16.0557.048.12	48.3



BALUSTER BRACKET

316

CODE	∅
B16.0550.042.12	42.4
B16.0550.048.12	48.3

Glass Clamps

If using glass clamps in any installation where the glass is fixed to the outside of a stair case and overhanging then security pins and glass with holes drilled must be used. The minimum hole size is 10mm. The majority of our glass clamps are supplied with safety pins as standard.



MIDDLE D GLASS CLAMP 10MM GLASS

304

CODE	∅
B04.2210.000.12	FLAT
B04.2210.042.12	42.4
B04.2210.048.12	48.3

316

CODE	∅
B16.2210.000.12	FLAT
B16.2210.042.12	42.4
B16.2210.048.12	48.3

ZINC CHROME

CODE	∅
B10.2210.000.16	FLAT
B10.2210.042.16	42.4
B10.2210.048.16	48.3

ZINC RAW

CODE	∅
B10.2210.000.12	FLAT
B10.2210.042.12	42.4
B10.2210.048.12	48.3

ZINC SATIN

CODE	∅
B10.2210.000.19	FLAT
B10.2210.042.19	42.4
B10.2210.048.19	48.3

MIRROR POLISHED 316

CODE	∅
B14.2210.000.12	FLAT
B14.2210.042.12	42.4
B14.2210.048.12	48.3



MIDDLE D GLASS CLAMP 12MM GLASS

304

CODE	∅
B04.2512.000.12	FLAT
B04.2512.042.12	42.4
B04.2512.048.12	48.3

316

CODE	∅
B16.2512.000.12	FLAT
B16.2512.042.12	42.4
B16.2512.048.12	48.3

MIRROR POLISHED 316

CODE	∅
B14.2512.000.12	FLAT
B14.2512.042.12	42.4
B14.2512.048.12	48.3


**SMALL SQUARE GLASS CLAMP
10MM GLASS**

304

CODE	Ø
B04.2110.000.12	FLAT
B04.2110.042.12	42.4
B04.2110.048.12	48.3

316

CODE	Ø
B16.2110.000.12	FLAT
B16.2110.042.12	42.4
B16.2110.048.12	48.3

ZINC RAW

CODE	Ø
B10.2110.000.12	FLAT

ZINC CHROME

CODE	Ø
B10.2110.000.16	FLAT


**LARGE SQUARE GLASS CLAMP
12 - 17.5MM GLASS**

316

CODE	Ø
B16.2412.000.12	FLAT
B16.2412.048.12	48.3

MIRROR POLISHED 316

CODE	Ø
B14.2412.000.12	FLAT
B14.2412.048.12	48.3


**MIDDLE SQUARE GLASS CLAMP
12MM GLASS**

316

CODE	Ø
B16.2612.000.12	FLAT
B16.2612.042.12	42.4
B16.2612.048.12	48.3

ZINC RAW

CODE	Ø
B10.2612.000.12	FLAT


**GLASS CONNECTOR 90°
10MM GLASS**

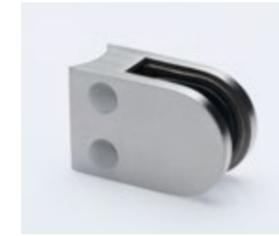
316

CODE	Ø
B16.2210.900.12	90°


**GLASS CONNECTOR 180°
10MM GLASS**

316

CODE	Ø	□
B16.2210.700.12	FLAT	2 PER BOX


**MIDDLE D GLASS CLAMPS
13.5MM GLASS**

316

CODE	D
B16.2213.000.12	FLAT
B16.2213.042.12	42
B16.2213.048.12	48


**LARGE SQUARE SHAPED CLAMP
FOR 21.5MM GLASS**

316

CODE	D	GLASS THICKNESS
B16.2221.000.12	FLAT	21.5


SMALL D GLASS CLAMP

ZINC CHROME

CODE	D	GLASS THICKNESS
B10.2108.000.12	FLAT	6-8
B10.2700.000.17	FLAT	10

Glass Clamp Fixings



METAL SECURITY PINS FOR GLASS

CODE	GLASS
B16.5015.022.12	8 - 10
B16.5015.025.12	12



PLASTIC SCREW COVER CAPS (GREY)

CODE
B19.5010.000.00



M8 FIXINGS - CLAMP TO POST

CODE	DESCRIPTION
B17.0680.050.12	Hexagon Socket Head Cap Screw M8 X 20



RUBBER INLAY

CODE	DESCRIPTION
B19.5004.008.00	8MM GASKET FOR MIDDLE D CLAMP
B19.5004.010.00	10MM GASKET FOR MIDDLE D CLAMP
B19.5004.012.00	12MM GASKET FOR MIDDLE D CLAMP

Glass Stiffeners

The weakness of any glass balustrade is often at the top of the glass panel. As an alternative to a handrail we would recommend using our stiffener range to join glass panels together and to tie the glass panels back to to the building.



90° STIFFENER

316

CODE	GLASS THICKNESS
B16.2210.912.10	10.00 - 12.00
B16.2210.912.13	13.52 - 15.00
B16.2210.912.16	16.76 - 19.00
B16.2210.912.20	20.00 - 21.50



180° STIFFENER

316

CODE	GLASS THICKNESS
B16.2211.912.10	10.00 - 12.00
B16.2211.912.13	13.52 - 15.00
B16.2211.912.16	16.76 - 19.00
B16.2211.912.20	20.00 - 21.50



WALL STIFFENER

316

CODE	GLASS THICKNESS
B16.2209.912.12	10 - 12
B16.2209.915.12	13.52 - 15
B16.2209.919.12	16.76 - 19
B16.2209.921.12	20.00 - 21.50



ADJUSTABLE 90 - 180° STIFFENER

316

CODE	GLASS THICKNESS
B16.2212.912.12	10 - 12
B16.2212.915.12	13.52 - 15
B16.2212.919.12	16.76 - 19
B16.2212.921.12	20.00 - 21.50

Spigots



12MM SPIGOT FOR 12MM GLASS (80MM FROM BASE TO GLASS)

316

CODE	DESCRIPTION
B16.6112.000.12	Base Glass Clamp 12MM Glass



COVER FOR SPIGOT FOR 12MM GLASS

316

CODE	DESCRIPTION
B16.6112.000.COV	Cover for Base Glass Clamp 12MM Glass



12MM - 17.5MM SPIGOT FOR 12MM - 17.5MM GLASS (64MM FROM BASE TO GLASS)

316

CODE	DESCRIPTION
B16.6100.000.12	Base Glass Clamp 12mm - 17.5mm Glass



COVER FOR SPIGOT FOR 12MM - 17.5MM GLASS

316

CODE	DESCRIPTION
B16.6100.000.COV	Cover for Base Glass Clamp 12mm -17.5mm Glass



SPIG - LITE PRO

CODE	GLASS THICKNESS
B16.6112.010.12	12MM
B16.6112.010.15	15MM
B16.6112.010.21.5	21.5MM

Spigot Fixings



FIXING TO CONCRETE

CODE	DESCRIPTION
B17.0626.050.12	M8 x 80mm Concrete Screw Zinc



FIXING TO STEEL

CODE	DESCRIPTION
B17.0628.050.12	M8 x 30mm Tapite Screw Zinc



FIXING TO TIMBER (NOT TESTED)

CODE	DESCRIPTION
B17.0627.050.12	M8 x 80mm Woodscrew Zinc

Glass Adapters



FLAT GLASS ADAPTER Ø 50MM

304

CODE	HEAD	BACK PLATE	GLASS THICKNESS	GLASS HOLE
B04.0747.00.12	50	10	8 - 19	26

316

CODE	HEAD	BACK PLATE	GLASS THICKNESS	GLASS HOLE
B16.0747.000.12	50	10	8 - 19	26
B16.0747.200.12	50	20	8 - 19	26
B16.0747.300.12	50	30	8 - 19	26
B16.0747.400.12	50	40	8 - 19	26
B16.0747.500.12	50	50	8 - 19	26
B16.0747.100.12	50	100	8 - 19	26

MIRROR POLISHED 316

CODE	HEAD	BACK PLATE	GLASS THICKNESS	GLASS HOLE
B14.0747.000.12	50	10	8 - 19	26
B14.0747.200.12	50	20	8 - 19	26
B14.0747.300.12	50	30	8 - 19	26
B14.0747.400.12	50	40	8 - 19	26
B14.0747.500.12	50	50	8 - 19	26
B14.0747.100.12	50	100	8 - 19	26



FLAT GLASS ADAPTER Ø 30MM

316

CODE	HEAD	BACK PLATE	GLASS THICKNESS	GLASS HOLE
B16.0746.015.12	30	15	6-12	15
B16.0746.030.12	30	30	6-12	15
B16.0746.040.12	30	40	6-12	15

MIRROR POLISHED 316

CODE	HEAD	BACK PLATE	GLASS THICKNESS	GLASS HOLE
B14.0746.015.12	30	15	6-12	15
B14.0746.030.12	30	30	6-12	15
B14.0746.040.12	30	40	6-12	15



ADJUSTABLE GLASS ADAPTER Ø 50MM

316

CODE	HEAD	BACK PLATE	GLASS THICKNESS	GLASS HOLE
B16.0749.200.12	50	20	12-17.5	26
B16.0749.300.12	50	30	12-17.5	26
B16.0749.400.12	50	40	8-25.5	26
B16.0749.500.12	50	50	8-25.5	26

MIRROR POLISHED 316

CODE	HEAD	BACK PLATE	GLASS THICKNESS	GLASS HOLE
B14.0749.200.12	50	20	12-17.5	26
B14.0749.300.12	50	30	12-17.5	26
B14.0749.400.12	50	40	8-25.5	26
B14.0749.500.12	50	50	8-25.5	26



GLASS ADAPTER FOR USE WITH ROUND POSTS

316

CODE	TUBE SIZE	HEAD	BACK PLATE	GLASS THICKNESS	GLASS HOLE
B16.0746.042.12	42	30	15	6-12	15
B16.0746.048.12	48	30	15	6-12	15
B16.0747.042.12	42	50	10	8-19	26
B16.0747.048.12	48	50	10	8-19	26

MIRROR POLISHED 316

CODE	TUBE SIZE	HEAD	BACK PLATE	GLASS THICKNESS	GLASS HOLE
B14.0746.042.12	42	30	15	6-12	15
B14.0746.048.12	48	30	15	6-12	15
B14.0747.042.12	42	50	10	8-19	26
B14.0747.048.12	48	50	10	8-19	26



GLASS CONNECTOR

304

CODE	GLASS THICKNESS
B04.0742.050.12	12.76 - 20.52

316

CODE	GLASS THICKNESS
B16.0742.050.12	12.76 - 20.52

Glass Adapter Fixings



SPANNER

CODE	DESCRIPTION
B17.SPANNER	Spanner for 50mm/30mm diameter stand off



DUAL THREADED SCREW

CODE	DESCRIPTION
B17.0780.060.12	Dual threaded screw M10 x 100mm metal to wood



CLEAR WASHER FOR 50MM GLASS ADAPTER

CODE	DESCRIPTION
B17.0747.000.12CLR	Clear washer to sit between head and back plate



THREADED BAR M10 X 150MM A2 STAINLESS

CODE	DESCRIPTION
B17.0800.150.STAINL	Threaded bar M10x 150mm A2 STAINLESS



THREADED BAR M10 X 150MM ZINC

CODE	DESCRIPTION
B17.0800.150.ZINC	Threaded bar M10x 150MM A2 STAINLESS



THREADED BAR M10 X 200MM ZINC

CODE	DESCRIPTION
B17.0800.200.ZINC	Threaded bar M10x 150MM A2 STAINLESS



THREADED BAR

CODE	DESCRIPTION
B17.0800.700.12ZINC	Threaded bar 3M



DUAL THREADED SCREW M8

CODE	DESCRIPTION
B17.0780.080.12	Dual Threaded Screw M8 X 100mm Metal To Wood



DUAL THREADED SCREW M10 STAINLESS

CODE	DESCRIPTION
B17.0780.200.12	Dual Threaded Screw M10 X 200mm Metal To Wood



RESIN

CODE	DESCRIPTION
B17.0810.700.12	300ml Resin



RESIN GUN

CODE	DESCRIPTION
B17.0810.700.12	3400ml Sealant Gun

Mirror Polished Tube Fittings



TUBE

MIRROR POLISHED 316

CODE	Ø	THICKNESS
B14.0900.242.12	42.4	2



HANDRAIL BRACKET WITH ADJUSTABLE SADDLE FOR 42.4MM UPRIGHT

MIRROR POLISHED 316

CODE	Ø	Ø
B14.0718.242.12	42 X 2	42.4



CONNECTOR 0-90 DEGREE SWEEPING

MIRROR POLISHED 316

CODE	Ø	H
B14.0303.242.12	42.4 X 2	30



HANDRAIL BRACKET WITH FIXED SADDLE

MIRROR POLISHED 316

CODE	Ø	Ø
B14.0710.242.12	42 X 2	42.4



HANDRAIL BRACKET WITH 90° SADDLE FOR 42.4MM UPRIGHT

MIRROR POLISHED 316

CODE	Ø	Ø
B14.0710.842.12	42 X 2	42.4



ADJUSTABLE CONNECTOR +/- 70°

MIRROR POLISHED 316

CODE	Ø
B14.0312.242.12	42.4 X 2



TUBE CONNECTOR

MIRROR POLISHED 316

CODE	Ø
B14.0790.242.12	42.4 X 2



COVER PLATE

MIRROR POLISHED 316

CODE	Ø	D
B14.0512.042.12	42.4	100



END CAP - CURVED

MIRROR POLISHED 316

CODE	Ø	H
B14.5729.242.12	42.4	6



TUBE TO GLASS LOCK

MIRROR POLISHED 316

CODE	Ø
B14.0282.042.12	42



WALL FLANGE

MIRROR POLISHED 316

CODE	Ø
B14.0505.042.12	42.4



END CAP FLAT

MIRROR POLISHED 316

CODE	Ø	D
B14.5732.242.12	42.4	4



TUBE TO GLASS HINGE

MIRROR POLISHED 316

CODE	Ø
B14.0281.042.12	42

MIRROR POLISHED

Mirror Polished Slotted Tube Fittings



STAINLESS STEEL SLOTTED TUBE ROUND

MIRROR POLISHED 316

CODE	∅	T	?	H	L
B14.6920.042.12	42.4	1.5	24	24	6000MM



ROUND END CAP FOR SLOTTED TUBE

MIRROR POLISHED 316

CODE	∅
B14.6732.042.12	42 X 15



WALL FLANGE FOR SLOTTED TUBE

MIRROR POLISHED 316

CODE	∅
B14.6505.042.12	42.4



90° HORIZONTAL CONNECTOR FOR SLOTTED TUBE

MIRROR POLISHED 316

CODE	∅
B14.6313.042.12	42.4 X 15



180° CONNECTOR FOR SLOTTED TUBE

MIRROR POLISHED 316

CODE	∅
B14.6790.042.12	42.4 X 15



25 TO 55° DOWNWARDS CONNECTOR FOR SLOTTED TUBE

MIRROR POLISHED 316

CODE	∅
B16.6302.042.12	42.1 X 15

MIRROR POLISHED



ROUND END FITTING FOR SLOTTED TUBE (LEFT)

MIRROR POLISHED 316

CODE	∅
B14.6507.042.12	42.2



ROUND END FITTING FOR SLOTTED TUBE (RIGHT)

MIRROR POLISHED 316

CODE	∅
B14.6508.042.12	42.2

Handrail Bracket Wall



FIXED HANDRAIL WALL BRACKET

304

CODE	∅	L	H
B04.0101.000.12	FLAT	75	50
B04.0101.042.12	42.4	75	50
B04.0101.048.12	48.3	75	50

316

CODE	∅	L	H
B16.0101.000.12	FLAT	75	50
B16.0101.042.12	42.4	75	50
B16.0101.048.12	48.3	75	50



ADJUSTABLE HANDRAIL WALL BRACKET

304

CODE	∅	L	H
B04.0102.000.12	FLAT	86	57
B04.0102.042.12	42.4	86	57
B04.0102.048.12	48.3	86	57

316

CODE	∅	T	L
B16.0102.000.12	FLAT	86	57
B16.0102.042.12	42.4	86	57
B16.0102.048.12	48.3	86	57

HANDRAIL BRACKETS



HANDRAIL BRACKET WALL - TUBE

316

CODE	Ø	PRO /HGT
B16.0145.042.12	42.4	87/57
B16.0145.048.12	42.4	87/57



HANDRAIL BRACKET - WALL

316

CODE	D	H
B16.0708.042.12	42.4	60
B16.0708.048.12	48.3	60



WELD-ON HANDRAIL WALL BRACKET

304

CODE	Ø	L	H
B04.0109.000.12	60	86	57

316

CODE	Ø	L	H
B16.0109.000.12	60	86	57

Handrail Bracket Glass



HANDRAIL BRACKET GLASS - TUBE

304

CODE	Ø	PRO /HGT
B04.0117.000.12	FLAT	82/57

316

CODE	Ø	PRO /HGT
B16.0117.042.12	42.4	82/57
B16.0117.048.12	48.3	82/57

HANDRAIL BRACKETS

Handrail Bracket Post



HANDRAIL BRACKET WITH FIXED SADDLE FOR 48.3MM UPRIGHT

316

CODE	D	Ø	H
B16.0711.042.12	48.3 x 2.6	42.4	79
B16.0711.048.12	48.3 x 2.6	48.3	80



HANDRAIL BRACKET WITH ADJUSTABLE SADDLE FOR 48.3MM UPRIGHT

316

CODE	D	Ø	H
B16.0719.042.12	48.3 x 2.6	42.4	79
B16.0719.048.12	48.3 x 2.6	48.3	80



HANDRAIL BRACKET WITH FIXED SADDLE FOR 42.4MM UPRIGHT

304

CODE	D	Ø	H
B04.0710.242.12	42.4 x 2.0	42.4	79
B04.0710.248.12	42.4 x 2.0	48.3	80
B04.0710.042.12	42.4 x 2.6	42.4	79
B04.0710.048.12	42.4 x 2.6	48.3	80



HANDRAIL BRACKET WITH ADJUSTABLE SADDLE FOR 42.4MM UPRIGHT

304

CODE	D	Ø	H
B04.0718.242.12	42.4 x 2.0	42.4	79
B04.0718.248.12	42.4 x 2.0	48.3	80
B04.0718.042.12	42.4 x 2.6	42.4	79
B04.0718.048.12	42.4 x 2.6	48.3	80

316

CODE	D	Ø	H
B16.0718.242.12	42.4 x 2.0	42.4	79
B16.0718.248.12	42.4 x 2.0	48.3	80
B16.0718.042.12	42.4 x 2.6	42.4	79
B16.0718.048.12	42.4 x 2.6	48.3	80

HANDRAIL TUBE BRACKETS



HANDRAIL BRACKETS WITH 90° SADDLE FOR 42.4MM UPRIGHT

316			
CODE	D	∅	H
B16.0710.842.12	42.4 x 2.0	42.4	79



HANDRAIL BRACKETS WITH 135° SADDLE FOR 42.4MM UPRIGHT

316			
CODE	D	∅	H
B16.0710.342.12	42.4 x 2.0	42.4	79



HANDRAIL BRACKETS WITH 90° SADDLE FOR 48.3MM UPRIGHT

304			
CODE	D	∅	H
B04.0711.942.12	48.3 x 2.6	42.4	79

316			
CODE	D	∅	H
B16.0711.848.12	48.3 x 2	48.3	80



WELD POST STEM

304		
CODE	D	H
B04.1002.242.12	42.4 x 2.0	81

316		
CODE	D	H
B16.1002.242.12	42.4 x 2.0	81
B16.1002.048.12	48.3 x 2.6	81



HANDRAIL STEM WITH THREAD - FIXED SADDLE

304		
CODE	∅	H
B04.0810.042.12	42.4	71
B04.0810.048.12	48.3	71

316		
CODE	∅	H
B16.0810.042.12	42.4	71
B16.0810.048.12	48.3	71

ORIGIN HANDRAIL TUBE BRACKETS



HANDRAIL STEM WITH THREAD

316	
CODE	∅
B16.0811.068.12	14



HANDRAIL STEM WITH THREAD - ADJUSTABLE SADDLE

304		
CODE	∅	H
B04.0818.042.12	42.4	71
B04.0818.048.12	48.3	71

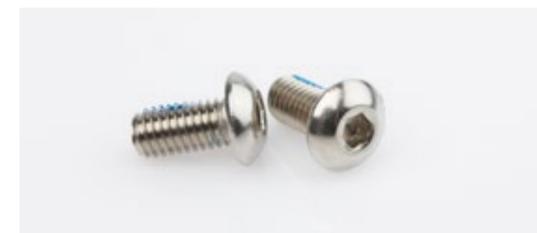
316		
CODE	∅	H
B16.0818.042.12	42.4	71
B16.0818.048.12	48.3	71

Fixings for Handrail Bracket



HANDRAIL SADDLE

316	
CODE	∅
B16.1810.042.12	42.4
B16.1810.048.12	48.3



PAN HEAD HEXAGON SCREW FIXING SADDLE TO HANDRAIL

CODE	DESCRIPTION
B17.0620.050.12	M5 Hexagon Pan Head includes self locking coating

Glass Gate Hardware



TUBE TO GLASS HINGE

316

CODE	Ø
B16.0281.042.12	42.



TUBE TO GLASS LOCK

316

CODE	Ø
B16.0282.042.12	42.4



MAGNETIC LATCH GLASS TO GLASS

316

CODE	GLASS THICKNESS
B16.0283.515.12	8MM - 12MM



**SELF CLOSING HINGE
GLASS TO GLASS**

316

CODE	GLASS THICKNESS
B16.0283.516.12	8MM - 12MM



MAGNETIC LATCH GLASS TO POST

316

CODE	GLASS THICKNESS
B16.0283.517.12	8MM - 12MM

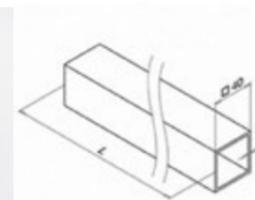


**SELF CLOSING HINGE
GLASS TO HINGE**

316

CODE	GLASS THICKNESS
B16.0283.518.12	8MM - 12MM

Square Fittings



STAINLESS STEEL SQUARE TUBE

304

CODE	Ø	L
BO4.4900.040.12	40 X 40 X 2	6m

316

CODE	Ø	L
B16.4900.040.12	40 X 40 X 2	6m

**WELD ON BASE PLATE
40MM X 40MM**

316

CODE	Ø
B16.4940.040.00	40 X 40



SQUARE COVER PLATE

316

CODE	□
B16.4511.040.12	108



SQUARE BASE FLANGE

316

CODE	40 X 40
B16.4942.040.00	40 X 40



**40MM X 40MM SQUARE HANDRAIL
BRACKET WALL FLAT**

304

CODE	□
B16.4412.000.12	2



**40MM X 40MM SQUARE HANDRAIL
BRACKET TUBE - FLAT**

316

CODE	Ø
B16.4710.000.12	40 X 40



40MM X 40MM SQUARE HANDRAIL BRACKET TUBE - TUBE

304	
CODE	∅
BO4.4710.042.12	42.4

316	
CODE	∅
B16.4710.042.12	42.4



40MM X 40MM 90° SQUARE HANDRAIL BRACKET TUBE - FLAT

316	
CODE	∅
B16.4710.800.12	40 x 40



40MM X 40MM 90° SQUARE HANDRAIL BRACKET TUBE - TUBE

316	
CODE	∅
B16.4710.842.12	42.4



40MM X 40MM SQUARE ADJUSTABLE HANDRAIL BRACKET TUBE - FLAT

316	
CODE	∅
B16.4718.000.12	40 X 40



40MM X 40MM SQUARE ADJUSTABLE HANDRAIL BRACKET TUBE - TUBE

316	
CODE	∅
B16.4718.042.12	42.4
B16.4718.048.12	48.3



40MM X 40MM SQUARE CONNECTORS

316	
CODE	∅
B16.4790.040.12	40 X 40



40MM X 40MM WALL FLANGE

316	
CODE	∅
B16.4505.040.12	40 X 40



40MM X 40MM END CAP

304	
CODE	∅
B04.4732.040.12	40 X 40

316	
CODE	∅
B16.4732.040.12	40 X 40

ORIGIN

Juliet Balconies

Here at Origin we have a number of different solutions for your Juliet Balcony. Our technical team can discuss with you the options that we have to give you the look that you want. Just as importantly we can offer you a practical solution that is safe to install. Whatever you are fixing to and whatever the width of your balcony, we have a solution that will work for you.

JULIET BALCONIES

Skyforce Balcony

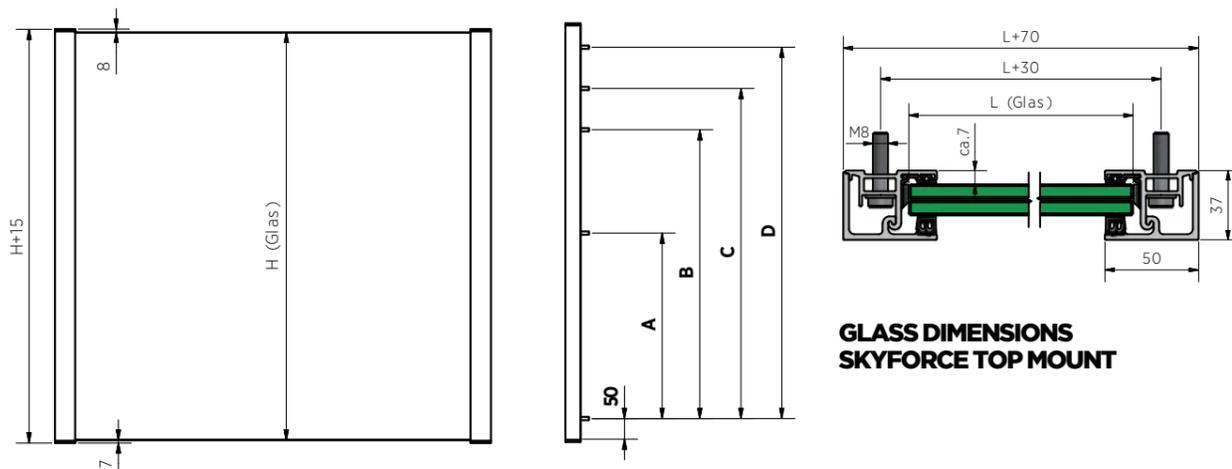
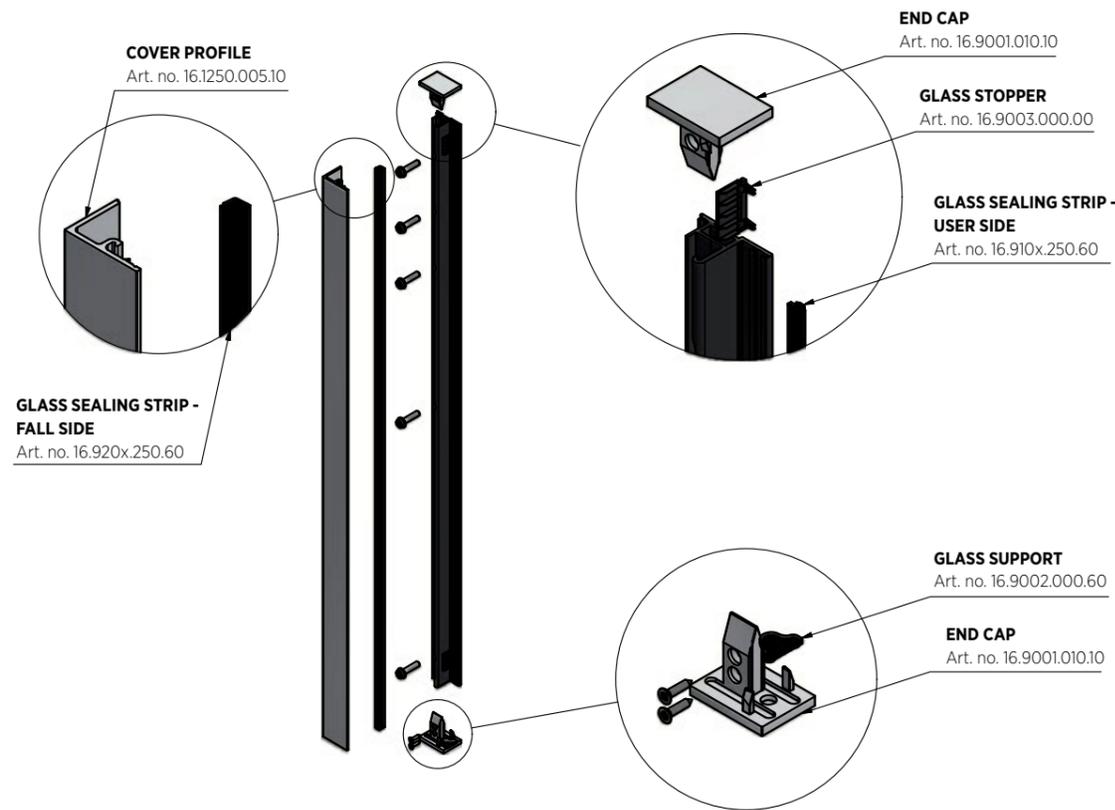
Origin are delighted to introduce our new fall protection for French Balconies, Skyforce. Skyforce offers our customers each of the following:

- Sold in panels for glass heights of 900mm, 1000mm and 1100mm
- Suitable for plastic, aluminium, wooden and metal frames
- Supports glass widths up to 3000mm

Each two part balcony kit includes two sets of the parts listed below, for the left and right hand side of the balcony. Appropriate fixings should be ordered separately.



Skyforce Top Mount



**GLASS DIMENSIONS
SKYFORCE TOP MOUNT**

MOUNTING DISTANCES SKYFORCE TOP MOUNT

HEIGHT	1100MM
A	500
B	800
C	900
D	1000



SKYFORCE, 2 - PART COMPLETE SET, ALUMINIUM, ANODISED 1100MM - TOP MOUNT

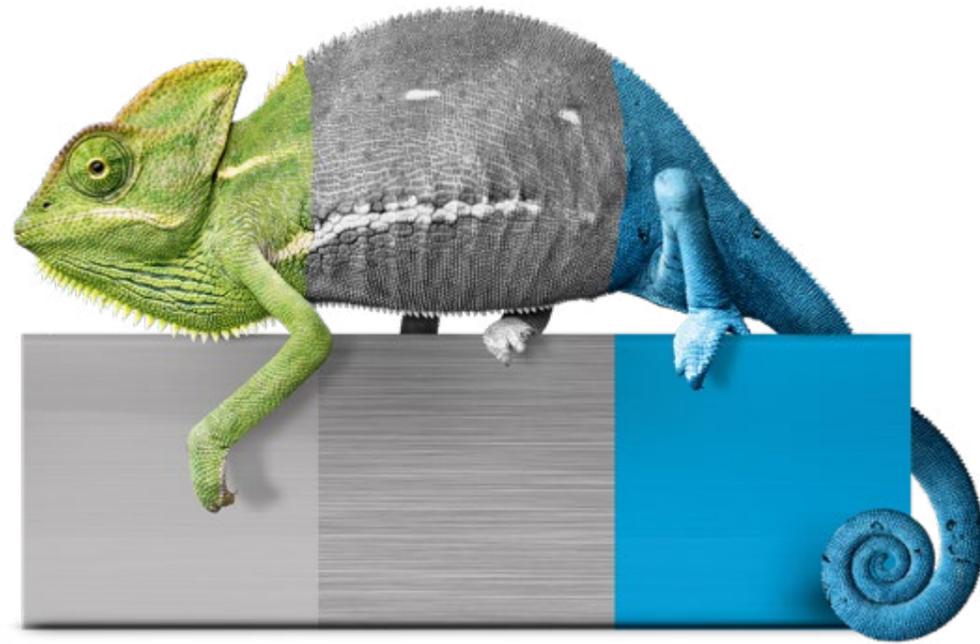
CODE	GLASS THICKNESS
SF16.1011.010.11	10-11MM
SF16.1011.012.11	12-13.5MM
SF16.1011.015.11	15MM
SF16.1011.016.11	16-17.5MM
SF.16.1011.019.11	19MM
SF16.1011.20.11	20 -21.5MM



SKYFORCE, 2 - PART COMPLETE SET, ALUMINIUM, MILL FINISH 1100MM - TOP MOUNT

CODE	GLASS THICKNESS
SF16.1511.010.11	10-11MM
SF16.1511.012.11	12-13.5MM
SF16.1511.015.11	15MM
SF16.1511.016.11	16-17.5MM
SF.16.1511.019.11	19MM
SF16.1511.20.11	20 -21.5MM

Skyforce Powder Coat



We can powder coat your Skyforce profiles to any colour that you like! Just let our sales team know the colour the RAL colour that you want. We stock profiles in the following colours:



SKYFORCE, 2 - PART COMPLETE SET, ANTHRACITE GREY/MATT BLACK/WHITE 1100MM TOP MOUNT

CODE	GLASS THICKNESS
SF16.1011.016.13GREY	16-17.5MM
SF16.10011.016.13BLACK	16-17.5MM
SF16.10111.016.13WHITE	16-17.5MM
SF16.1011.020.13GREY	20-21.5MM
SF16.10011.020.13BLACK	20-21.5MM
SF16.10111.020.13WHITE	20-21.5MM



SKYFORCE, 2 - PART COMPLETE SET, ALUMINIUM, ANODISED 1100MM SIDE MOUNT

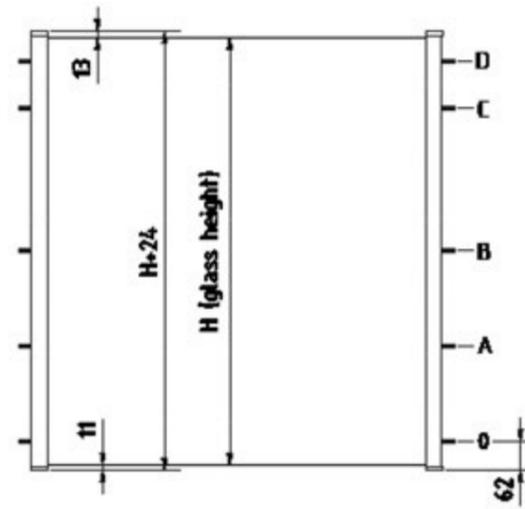
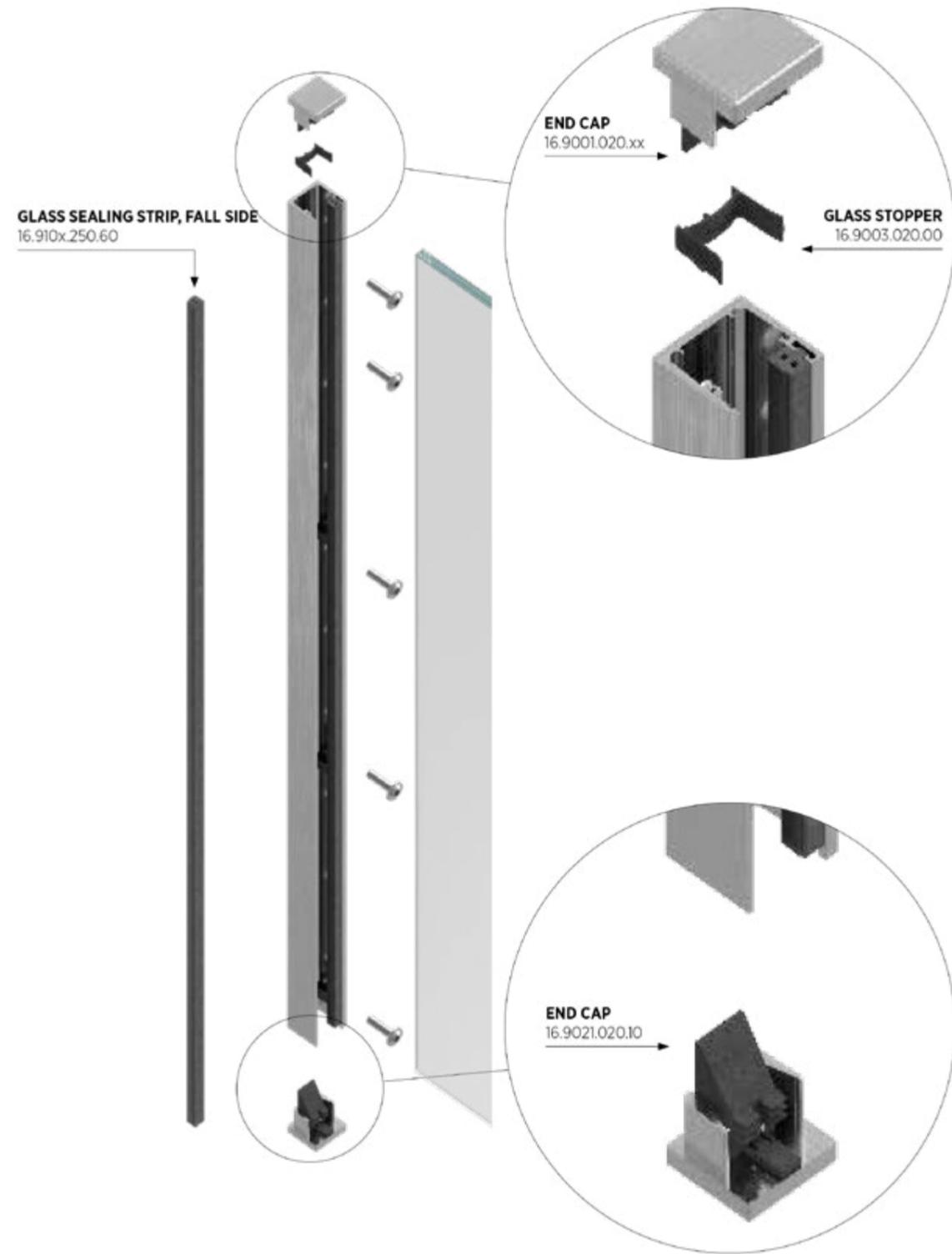
CODE	GLASS THICKNESS
SF16.2011.010.10SIDE	10 -11MM
SF16.2011.012.10SIDE	12 -13.5MM
SF16.2011.015.10SIDE	15MM
SF16.2011.016.10SIDE	16-17.5MM
SF16.2011.019.10SIDE	19MM
SF16.2011.020.10SIDE	20-21.5MM



SKYFORCE, 2 - PART COMPLETE SET, ALUMINIUM, MILL FINISH SIDE MOUNT

CODE	GLASS THICKNESS
SF16.2011.010.11SIDE	10-11MM
SF16.2011.012.11SIDE	12-13.5MM
SF16.2011.015.11SIDE	15MM
SF16.2011.016.11SIDE	16-17.5MM
SF16.2011.019.11SIDE	19MM
SF16.2011.020.11SIDE	20-21.5MM

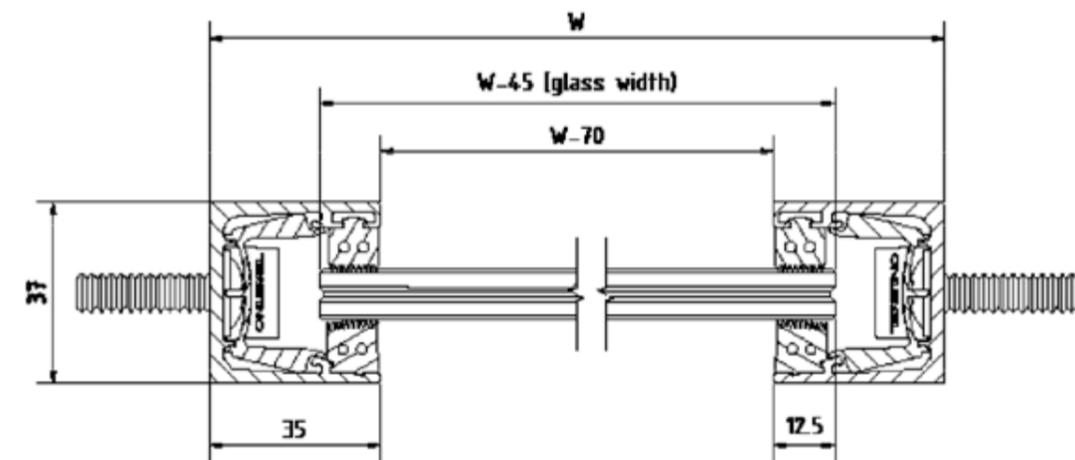
Skyforce Side Mount



MOUNTING DISTANCES SKYFORCE SIDE MOUNT

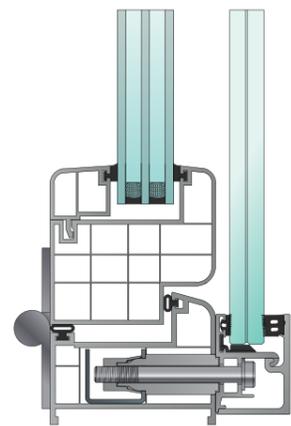
HEIGHT	1100MM
A	300
B	600
C	900
D	1000

GLASS DIMENSIONS SKYFORCE SIDE MOUNT

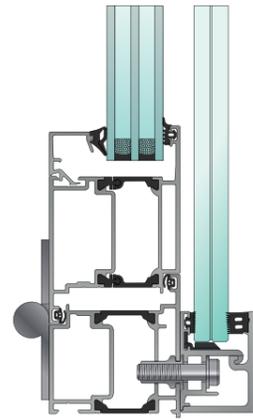


Skyforce Fixings

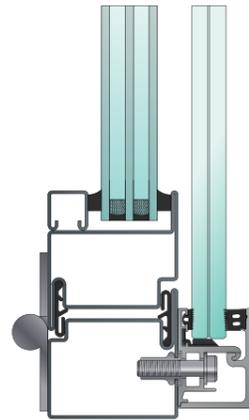
PLASTIC FRAMES



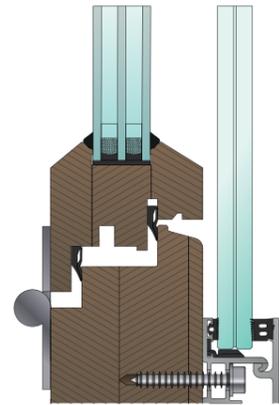
ALUMINIUM FRAMES



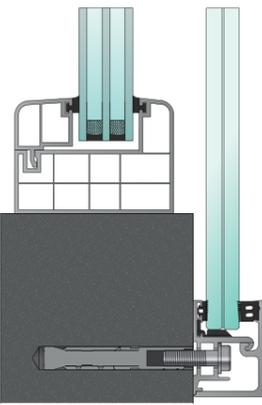
STEEL FRAMES



WOODEN FRAMES



CONCRETE FRAMES



STONE FRAMES



FIXING ANCHOR FOR PLASTIC FRAMES WITH TOP MOUNT STEEL CORE

CODE
SF16.9005.850.30



FIXING ANCHOR FOR ALUMINIUM FRAMES TOP MOUNT

CODE
SF16.9006.835.30



FIXING ANCHOR FOR WOODEN FRAMES - TOP AND SIDE MOUNT (NOT TESTED)

CODE	LENGTH
SF16.9007.850.30	60MM



FIXING ANCHOR FOR STEEL FRAMES TOP MOUNT

CODE
SF16.9008.835.30



FIXING ANCHOR FOR CONCRETE FRAMES TOP MOUNT

CODE
SF16.9009.835.30



FIXING ANCHOR FOR STONE FRAMES TOP MOUNT

CODE
SF16.9010.835.30



FIXING ANCHOR FOR CONCRETE FRAMES, SIDE MOUNT

CODE
SF.16.9029.835.30



FIXING ANCHOR FOR STONE FRAMES, SIDE MOUNT

CODE
SF.9020.835.30



FIXING ANCHOR FOR PLASTIC/ALUMINIUM FRAMES WITH STEEL CORE, SELF TAPPING TOP MOUNT

CODE	B	LENGTH
SF16.9012.605.20	0 - 25MM	50MM
SF16.9012.606.20	25 - 40MM	64MM
SF16.9012.607.20	40 - 50MM	75MM
SF16.9012.608.20	50 - 55MM	82MM
SF16.9012.609.20	55 - 65MM	92MM
SF16.9012.610.20	65 - 75MM	102MM



FIXING SCREW FOR PLASTIC/ALUMINIUM FRAMES WITH STEEL CORE, SELF TAPPING TOP MOUNT.

PLASTIC FRAME: The screw needs a 1.5m steel core in the frame profile

CODE	LENGTH
SF16.9005.604.8145M	45MM
SF16.9005.604.8155M	55MM
SF16.9005.604.8165M	65MM
SF16.9005.604.8175M	75MM
SF16.9005.604.8185M	85MM
SF16.9005.604.8195M	95MM





Portia Juliet Balcony Fixings



FIXING TO CONCRETE

CODE	DESCRIPTION
B17.0810.700.12	M10 X 150 Rod Studs



FIXING TO STEEL

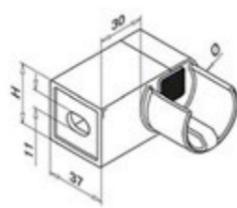
CODE	DESCRIPTION
B17.0625.05.12	M10 X 45mm Socket Screw Nut And Washer



FIXING TO TIMBER (NOT TESTED)

CODE	DESCRIPTION
B17.0618.050.12	Hex Head Coach Screw M10 X 120mm

Portia Juliet Balcony

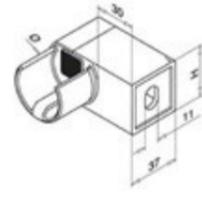


ROUND END FITTINGS FOR SLOTTED TUBE (LEFT)

316		
CODE	Ø	H
B16.6507.042.12	42.4	37
B16.6507.048.12	48.3	43

MIRROR POLISHED 316

CODE	Ø	H
B14.6508.042.12	42.4	37



ROUND END FITTINGS FOR SLOTTED TUBE (RIGHT)

316		
CODE	Ø	H
B16.6508.042.12	42.4	37
B16.6508.048.12	48.3	43

MIRROR POLISHED 316

CODE	Ø	H
B14.6508.042.12	42.4	37

These components should be combined with our grade 316 or 316 Mirror Polished slotted tube and rubber profiles for 12mm glass.



Ariel Juliet Balcony

Ariel Juliet Balcony Kits

SINGLE DOOR ARIEL JULIET BALCONY

316

CODE	DESCRIPTION
B16.3509.0048.12	1.1M 48MM 900 X 1100

MIRROR POLISHED 316

CODE	DESCRIPTION
B14.3509.0048.12	1.1M 48MM 900 X 1100

DOUBLE DOOR ARIEL JULIET BALCONY

316

CODE	DESCRIPTION
B16.3510.0048.12	2.3M 48MM 900 X 1100

MIRROR POLISHED 316

CODE	DESCRIPTION
B14.3510.0048.12	2.3M 48MM 900 X 1100



Othello Juliet Balcony

Othello Juliet Balcony Glass Adapter

For that frameless look, we can supply you with any of the glass adapters featured earlier in our brochure to help you can complete your Juliet balcony. Our technical team can advise you on the glass fixings and glass thickness that you will need to complete your balcony.

ORIGIN

Consumables



ORIGIN GLUE

CODE	DESCRIPTION
B17.000.001.GLUE	10ML Loctite Glue 10ML/11G
B17.000.001.GLUE	50ML Loctite Glue 50ML/55G



ORIGIN CLEANER

CODE	DESCRIPTION
B17.1906.100.12	Stainless Steel Cleaning Set 400ML



RESIN

CODE	DESCRIPTION
B17.0810.701.12	300ML RESIN



RESIN GUN

CODE	DESCRIPTION
B17.0810.702.12	400ML SEALANT GUN

ORIGIN

Shower Fittings

SHOWER FITTINGS



GLASS TO WALL HINGE 8MM TO 10MM GLASS

CODE S.750C

Self closes to 0° when within 30° open position.
Swings 90° in and 90° out.

Use 2 Hinges for maximum load of 40kg

Packed and sold by piece with gaskets and wall fixings

Chrome finish



WALL MOUNTED OFFSET BACK PLATE 8MM TO 10MM GLASS

CODE S.750LC

Self closes to 0° when within 30° open position.
Swings 90° in and 90° out.

Use 2 Hinges for maximum load of 40kg

Packed and sold by piece with gaskets and wall fixings

Chrome finish



180° GLASS TO GLASS HINGE 8MM TO 10MM GLASS

CODE S.750-180-C

Self closes to 0° when within 30° open position.
Swings 90° in and 90° out.

Use 2 Hinges for maximum load of 40kg

Packed and sold by piece with gaskets and wall fixings

Chrome finish



WALL MOUNT GLASS CLAMP BRASS CHROME 8MM TO 12MM GLASS

CODE S.933U3C

Gaskets: 2 x 2mm gaskets for 8mm glass
2 x 1mm gaskets for 10mm/12mm glass

Packed and sold by piece with gaskets and wall fixings

Chrome finish



90° SMALL SQUARE GLASS FIXING BRACKETS CHROME 8MM TO 12MM GLASS

CODE S.933-WG90-C

Gaskets: 2 x 2mm gaskets for 8mm glass
2 x 1mm gaskets for 10mm/12mm glass

Packed and sold by piece with gaskets and wall fixings

Chrome Finish



90° SMALL SQUARE GLASS FIXING BRACKETS CHROME 8MM TO 12MM GLASS

CODE S.93390C

Gaskets: 2 x 2mm gaskets for 8mm glass
2 x 1mm gaskets for 10mm/12mm glass

Packed and sold by piece with gaskets and wall fixings

Chrome finish



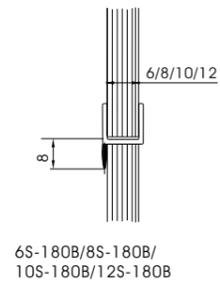
180° SMALL SQUARE FIXING BRACKETS CHROME
8MM TO 12MM GLASS

CODE S.933180C
Gaskets: 2 x 2mm gaskets for 8mm glass
2 x 1mm gaskets for 10mm/12mm glass
Packed and sold by piece with gaskets and wall fixings
Chrome finish



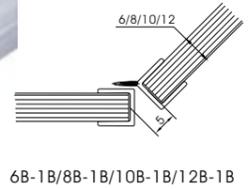
DOOR KNOB STRAIGHT
6MM TO 12MM

CODE S.718MC
Packed and sold by pair with wall fixings
Chrome finish



2.48M DOOR SEAL

CODE S.10S180B248
Material: PVC
Sold in 2.48m lengths
Snap on double doors edge at 180°



2.48M DOOR SEAL

CODE S.10B01B248
Material: PVC
Sold in 2.48m lengths
Snap on door edge or bottom at 135°



DOOR KNOB RADIUSED
6MM TO 12MM

CODE S.941MC
Packed and sold by pair with wall fixings
Chrome finish



2.5M U CHANNEL
8MM TO 10MM

CODE S.974H10249SO
Fixed to ceiling, wall or floor
10mm profile
Chrome finish
Supplied with End Cap S.974H10EPS



WALL FIXING BRACKETS

CODE S.7341C



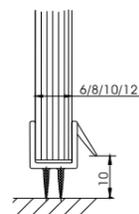
19MM DIAMETER STAINLESS TUBE 1M

CODE S.1520321PO10



3.65M U CHANNEL
8MM TO 10MM

CODE S.974H10356
Fixed to ceiling, wall or floor
10mm profile
Chrome finish
Supplied with End Cap S.974H10EPS



6B-2B/8B-2B/10B-2B/12B-2B

2.48M DOOR SEAL

CODE S.10B2B248
Material: PVC
Sold in 2.48m lengths
Snap on door bottom at 90°



U-BRACKET

CODE S.7347C



MITRED 45 DEGREE BRACKET

CODE S.7346C



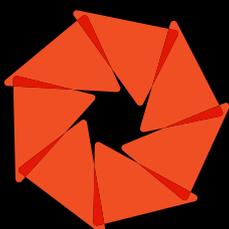
ORIGIN

Glass

Origin offer a full range of glass to suit any requirement. Be it toughened, laminated or heat soaked glass we can provide bespoke solutions on short lead times. We supply glass for balustrade, canopies, stair treads and doors.

Our technical team can provide you with any advice that you may need by telephone **0113 277 4316** or email **sales@originarchitectural.co.uk**





ORIGIN
ARCHITECTURAL

ARCHITECTURAL HARDWARE SOLUTIONS
WWW.ORIGINARCHITECTURAL.CO.UK